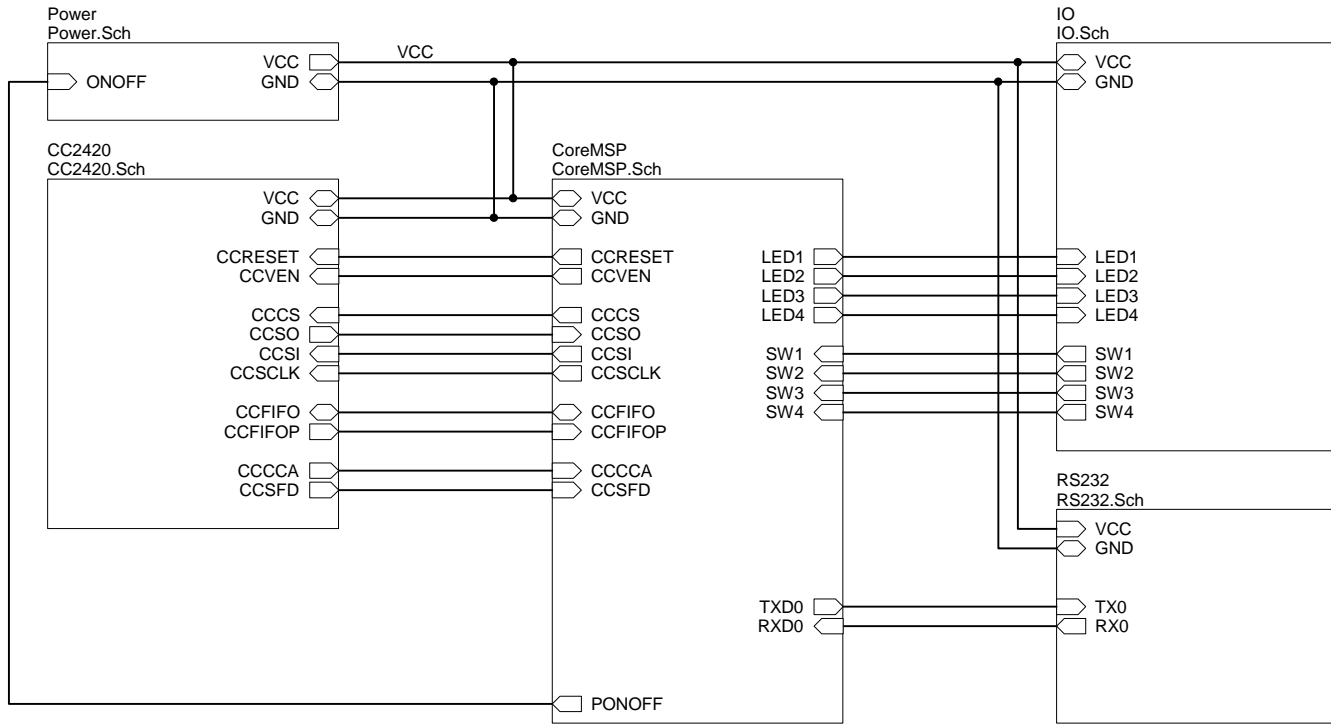
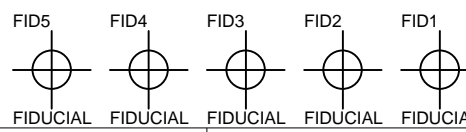


# Main Sheet

# DRFG4618



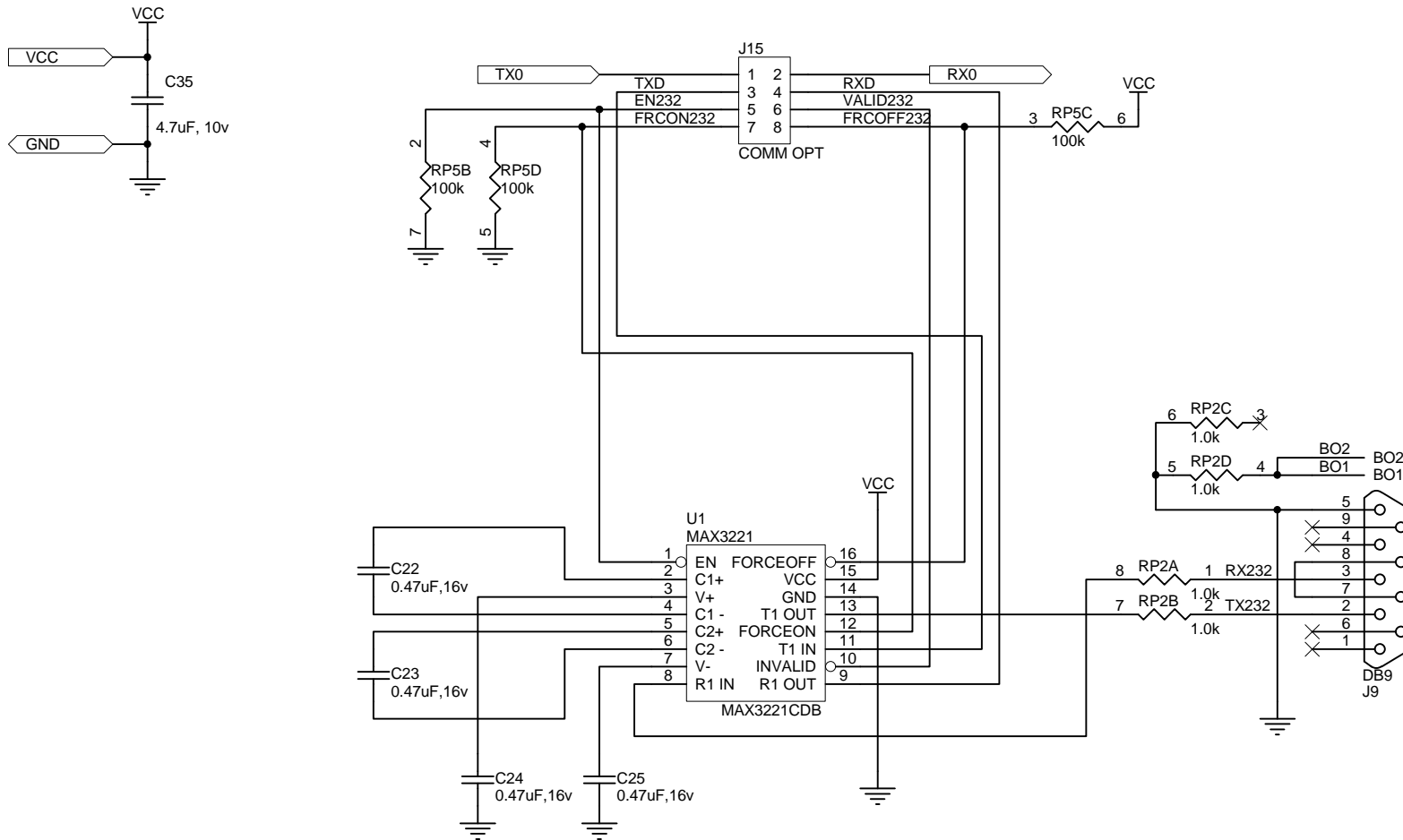
LOGO LOGO  
LOGO2 LOGO1



**SoftBaugh**  
 www.softbaugh.com 800 794-5756  
 Copyright (c) SoftBaugh, Inc., 1999-2003.  
 Do not reproduce or distribute without permission.  
 Sheet: Main Sheet  
 Project: DRFG4618  
 Date: 16-Jun-2006 1 of 7 v. 0.2

# RS232 Interface

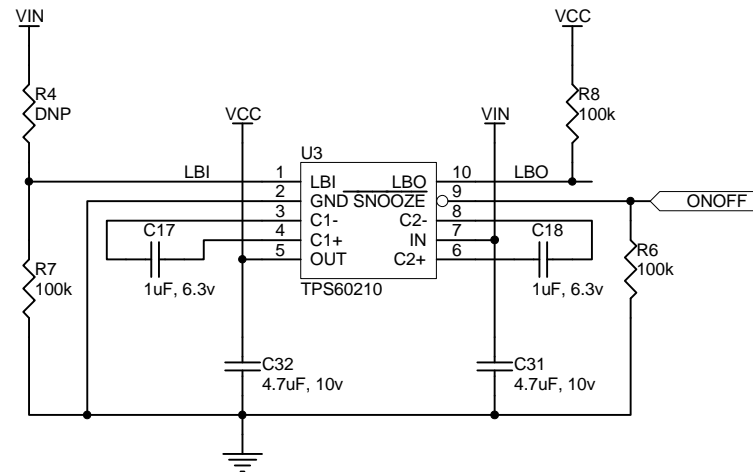
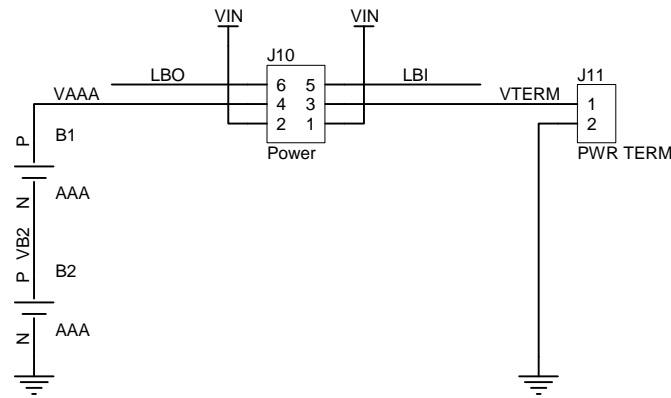
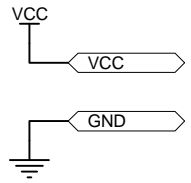
# DRFG4618



**SoftBaugh**  
www.softbaugh.com 800 794-5756  
Copyright (c) SoftBaugh, Inc., 1999-2003.  
Do not reproduce or distribute without permission.  
Sheet: RS232 Interface  
Project: DRFG4618  
Date: 16-Jun-2006 2 of 7 v. 0.2

# Power Supplies

DRFG4618

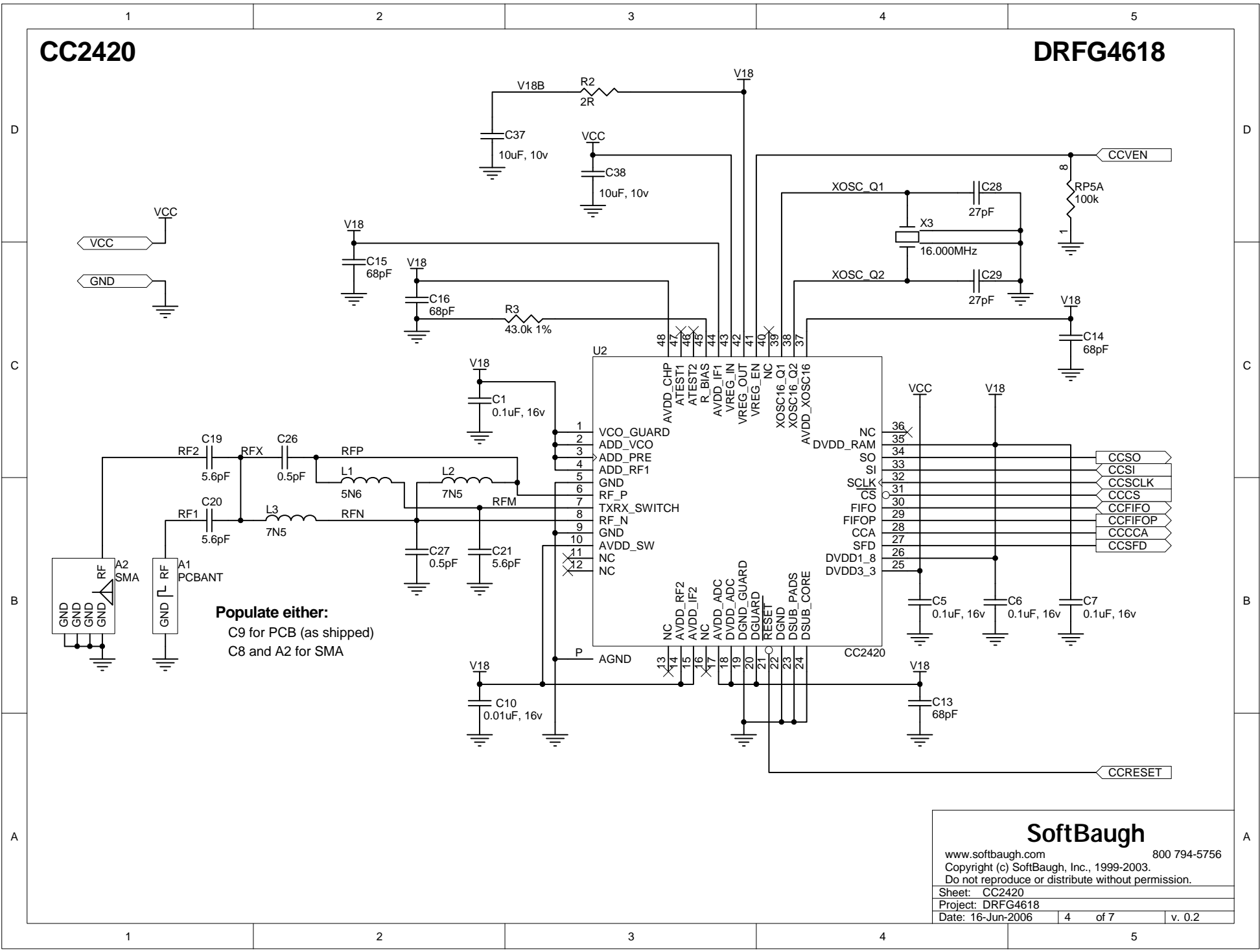


Populate R4 and R7 per TPS60210 datasheet for low battery detection.

<b>SoftBaugh</b>	
www.softbaugh.com	800 794-5756
Copyright (c) SoftBaugh, Inc., 1999-2003.	
Do not reproduce or distribute without permission.	
Sheet: Power Supplies	
Project: DRFG4618	
Date: 16-Jun-2006	3 of 7 v. 0.2

CC2420

DRFG4618



**Populate either:**  
 C9 for PCB (as shipped)  
 C8 and A2 for SMA

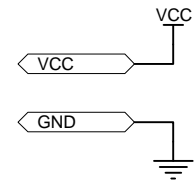
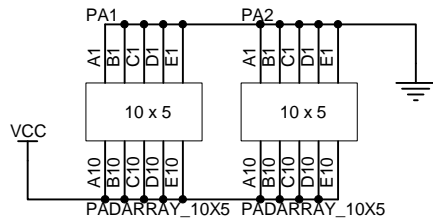
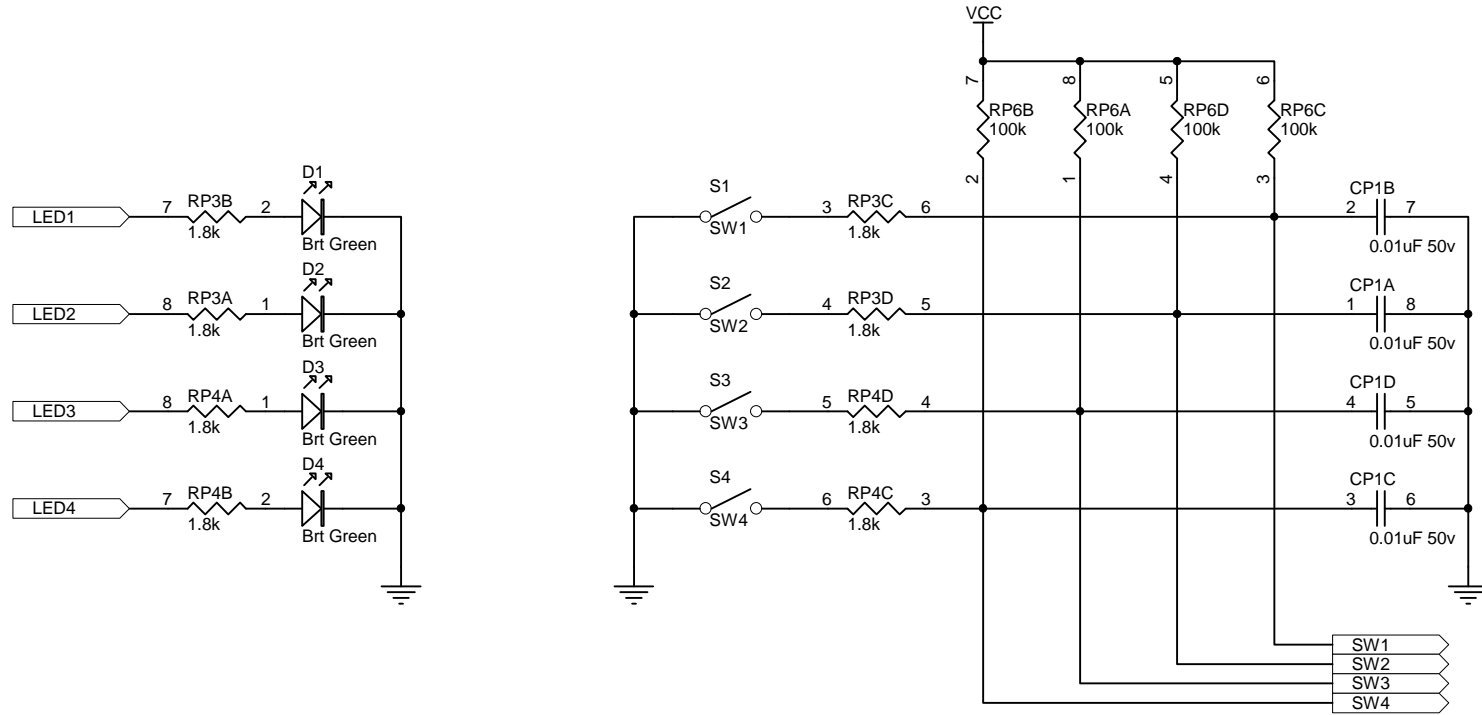
**SoftBaugh**

www.softbaugh.com 800 794-5756  
 Copyright (c) SoftBaugh, Inc., 1999-2003.  
 Do not reproduce or distribute without permission.

Sheet: CC2420	
Project: DRFG4618	
Date: 16-Jun-2006	4 of 7 v. 0.2

# Input/Output

# DRFG4618



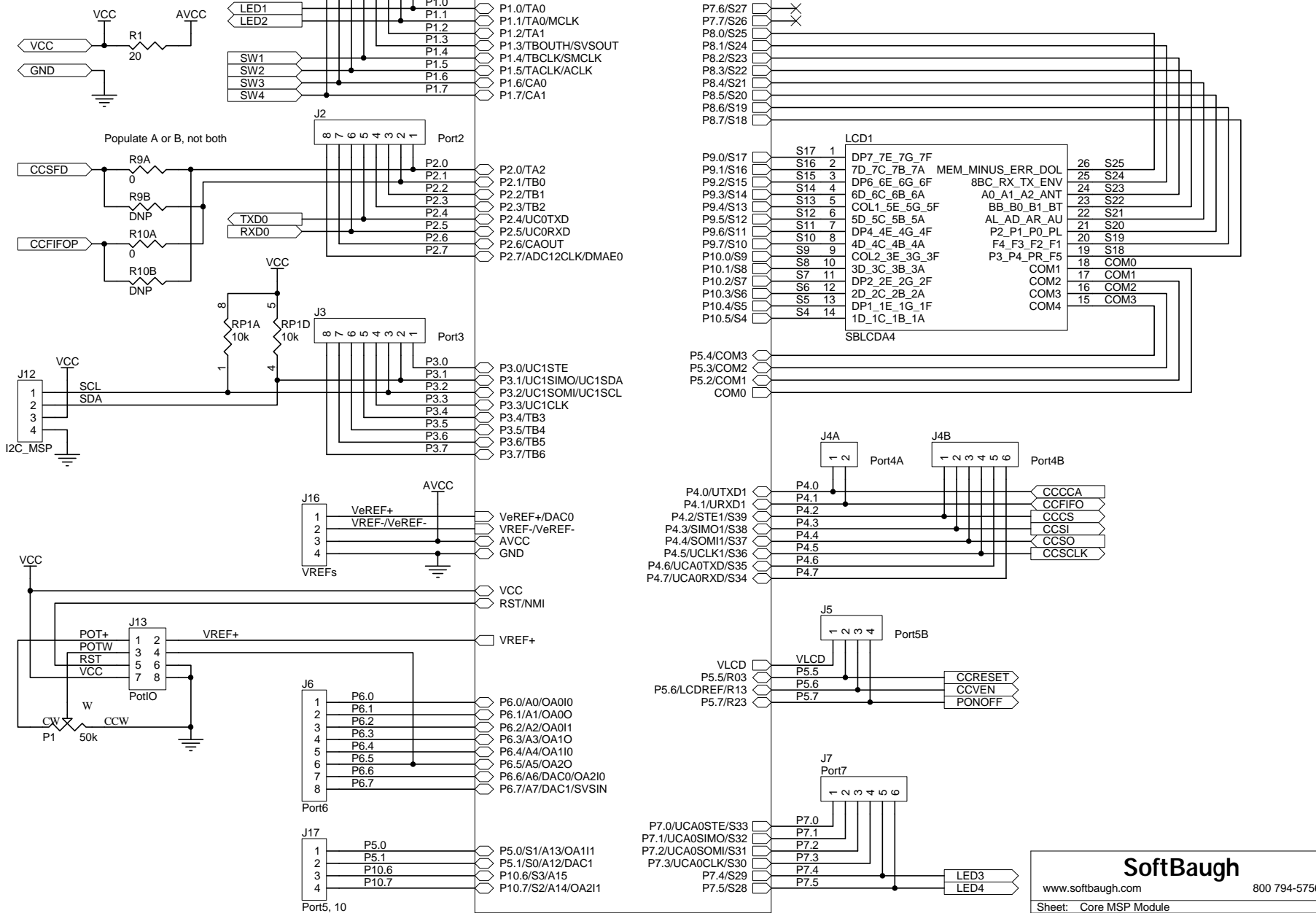
**SoftBaugh**  
www.softbaugh.com 800 794-5756  
Copyright (c) SoftBaugh, Inc., 1999-2003.  
Do not reproduce or distribute without permission.

Sheet: Input/Output
Project: DRFG4618
Date: 16-Jun-2006

5 of 7 v. 0.2

# Core MSP Module

# DRFG4618



**SoftBaugh**

www.softbaugh.com 800 794-5756

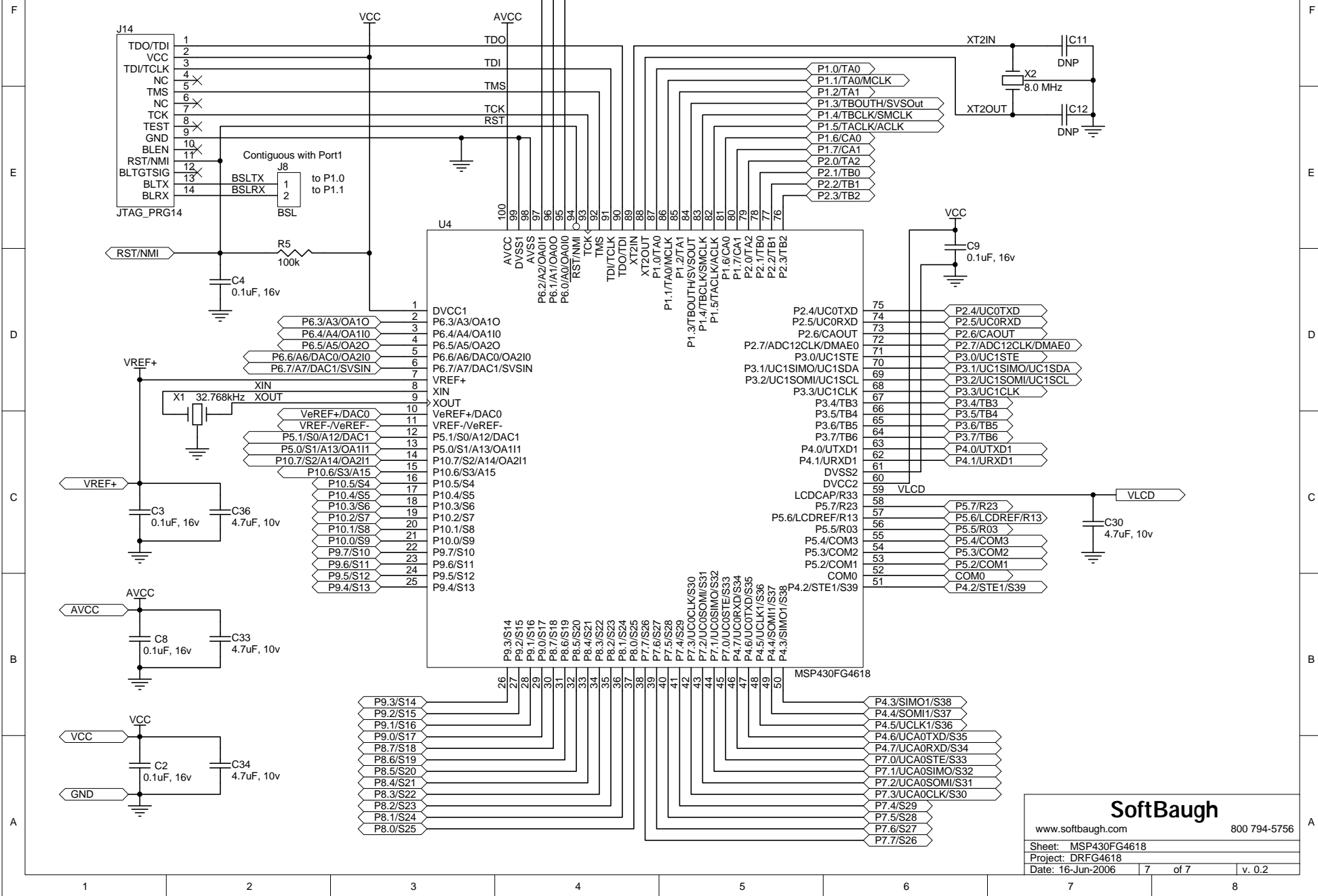
Sheet: Core MSP Module

Project: DRFG4618

Date: 16-Jun-2006 6 of 7 | v. 0.2

# MSP430FG4618

# DRFG4618



**SoftBaugh**

www.softbaugh.com 800 794-5756

Sheet: MSP430FG4618  
 Project: DRFG4618  
 Date: 16-Jun-2006 7 of 7 | v. 0.2