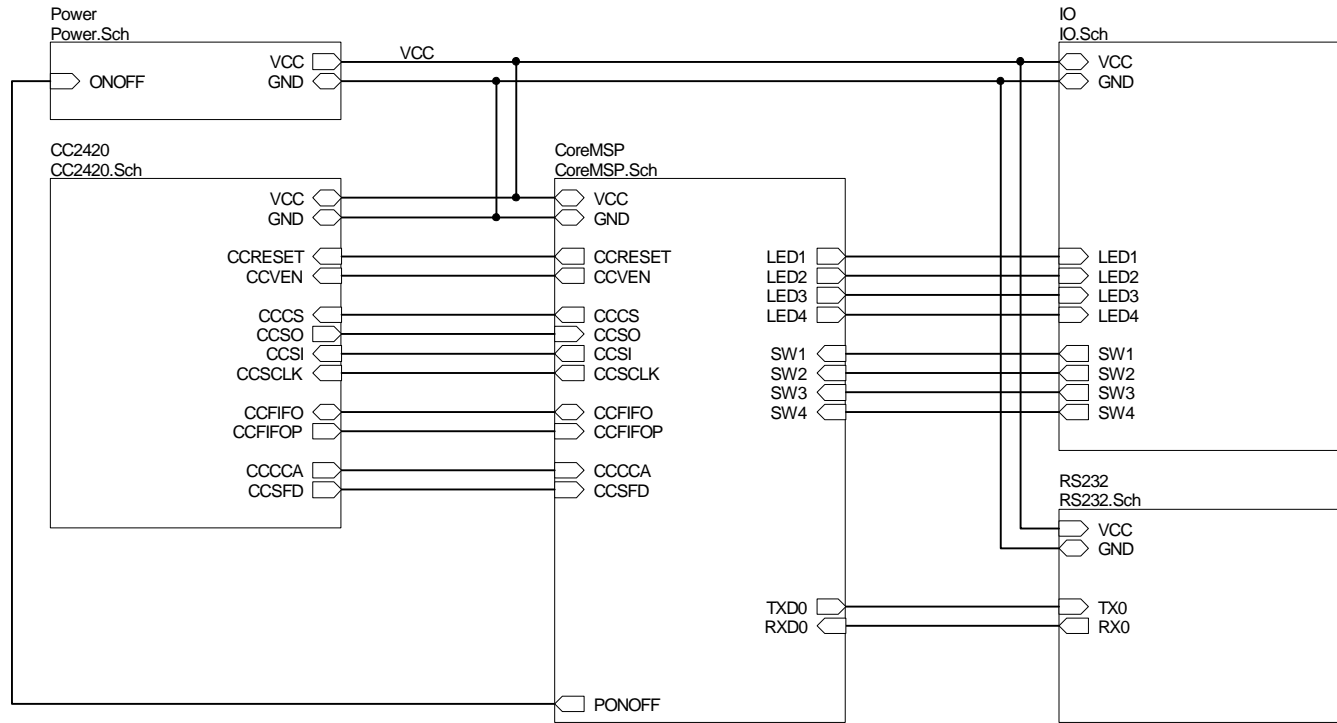
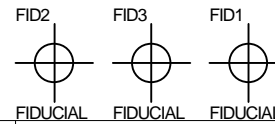


Main Sheet

DZ1611/DZ1612



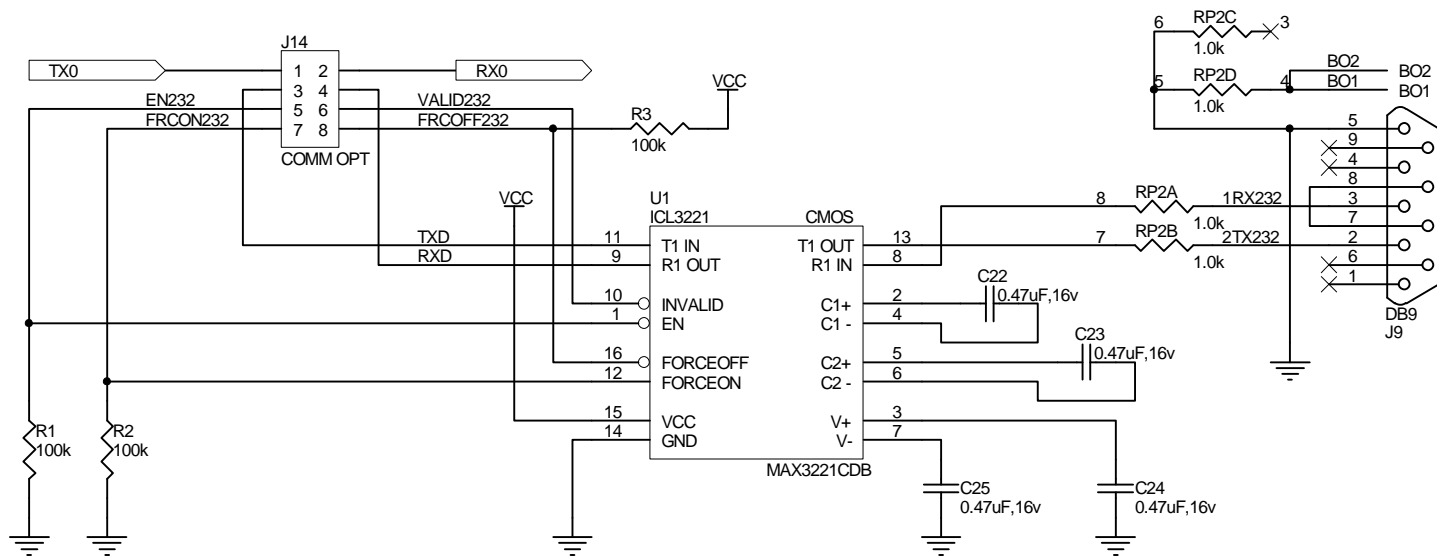
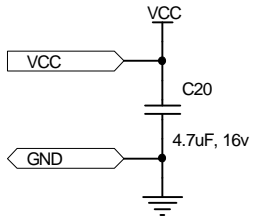
LOGO LOGO
LOGO2 LOGO1



SoftBaugh
 www.softbaugh.com 800 794-5756
 Copyright (c) SoftBaugh, Inc., 1999-2003.
 Do not reproduce or distribute without permission.
 Sheet: Main Sheet
 Project: DZ1611/DZ1612
 Date: 28-Oct-2005 1 of 7 v. 1.1

RS232 Interface

DZ1611/DZ1612

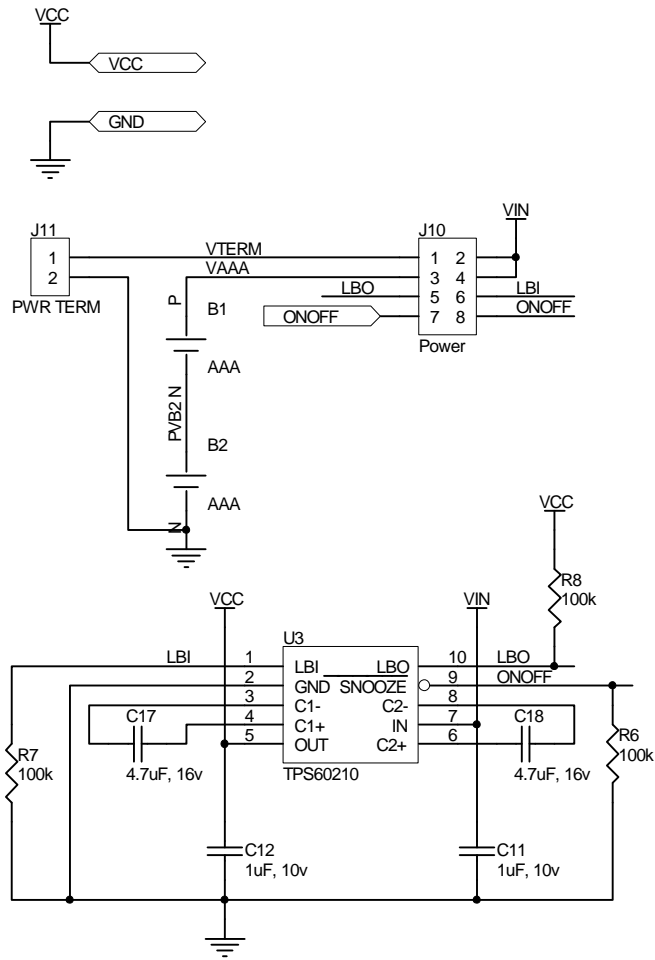


SoftBaugh

www.softbaugh.com 800 794-5756
 Copyright (c) SoftBaugh, Inc., 1999-2003.
 Do not reproduce or distribute without permission.
 Sheet: RS232 Interface
 Project: DZ1611/DZ1612
 Date: 28-Oct-2005 2 of 7 v. 1.1

Power Supplies

DZ1611/DZ1612



SoftBaugh

www.softbaugh.com 800 794-5756

Copyright (c) SoftBaugh, Inc., 1999-2003.

Do not reproduce or distribute without permission.

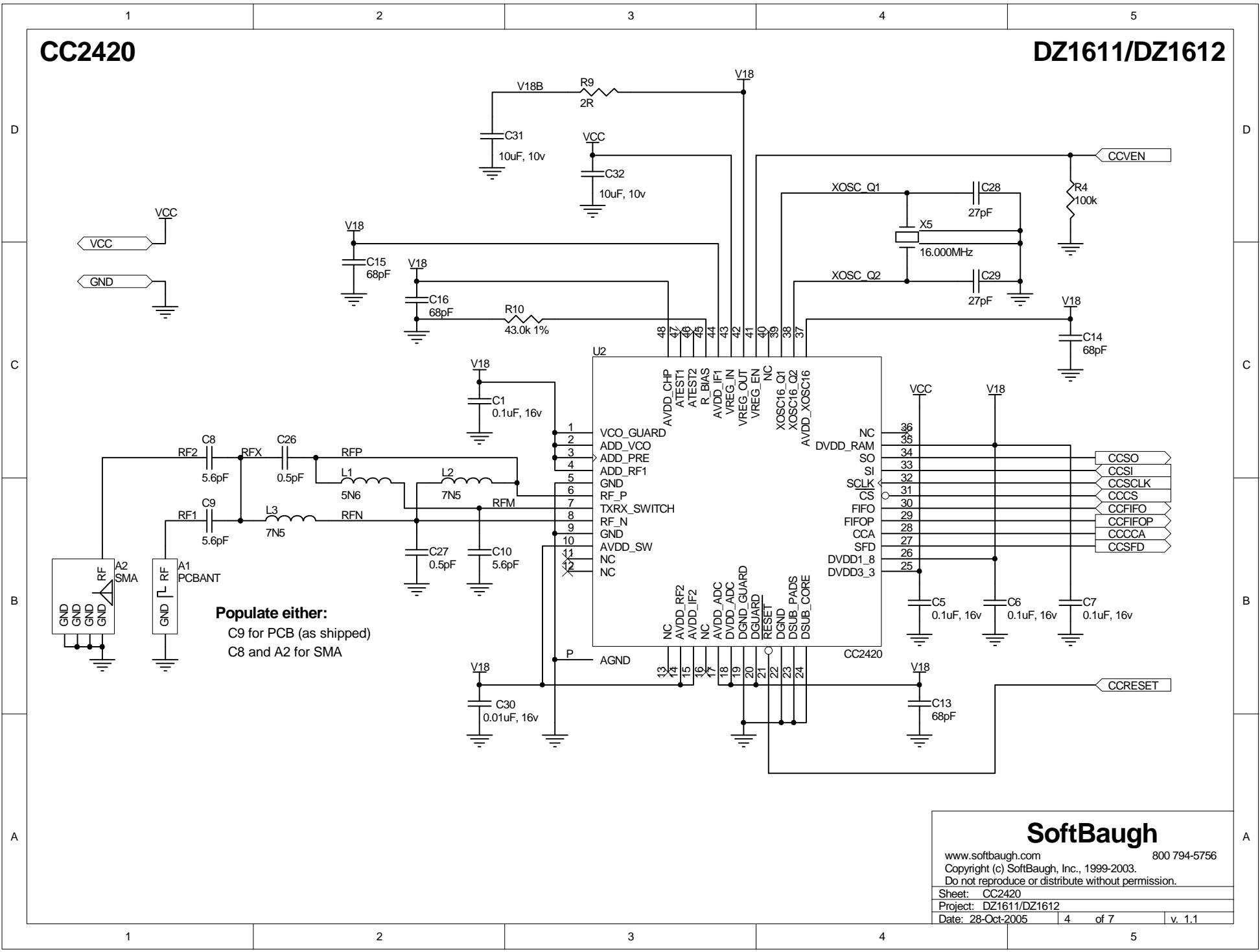
Sheet: Power Supplies

Project: DZ1611/DZ1612

Date: 28-Oct-2005 3 of 7 v. 1.1

CC2420

DZ1611/DZ1612



Populate either:
 C9 for PCB (as shipped)
 C8 and A2 for SMA

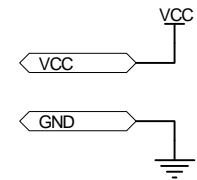
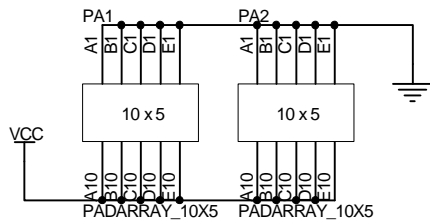
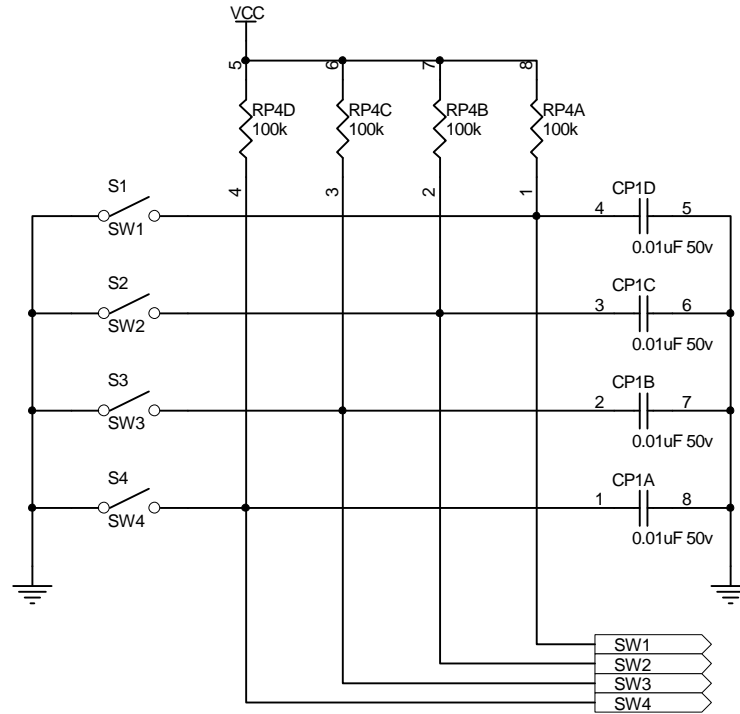
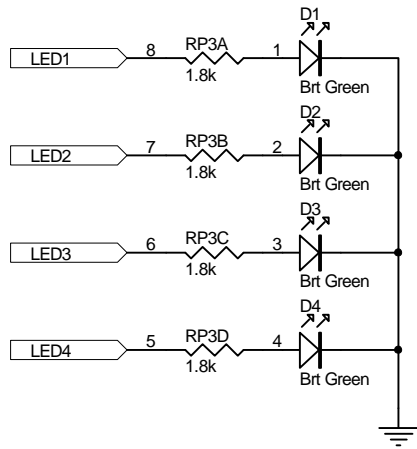
SoftBaugh

www.softbaugh.com 800 794-5756
 Copyright (c) SoftBaugh, Inc., 1999-2003.
 Do not reproduce or distribute without permission.

Sheet: CC2420
Project: DZ1611/DZ1612
Date: 28-Oct-2005

Input/Output

DZ1611/DZ1612



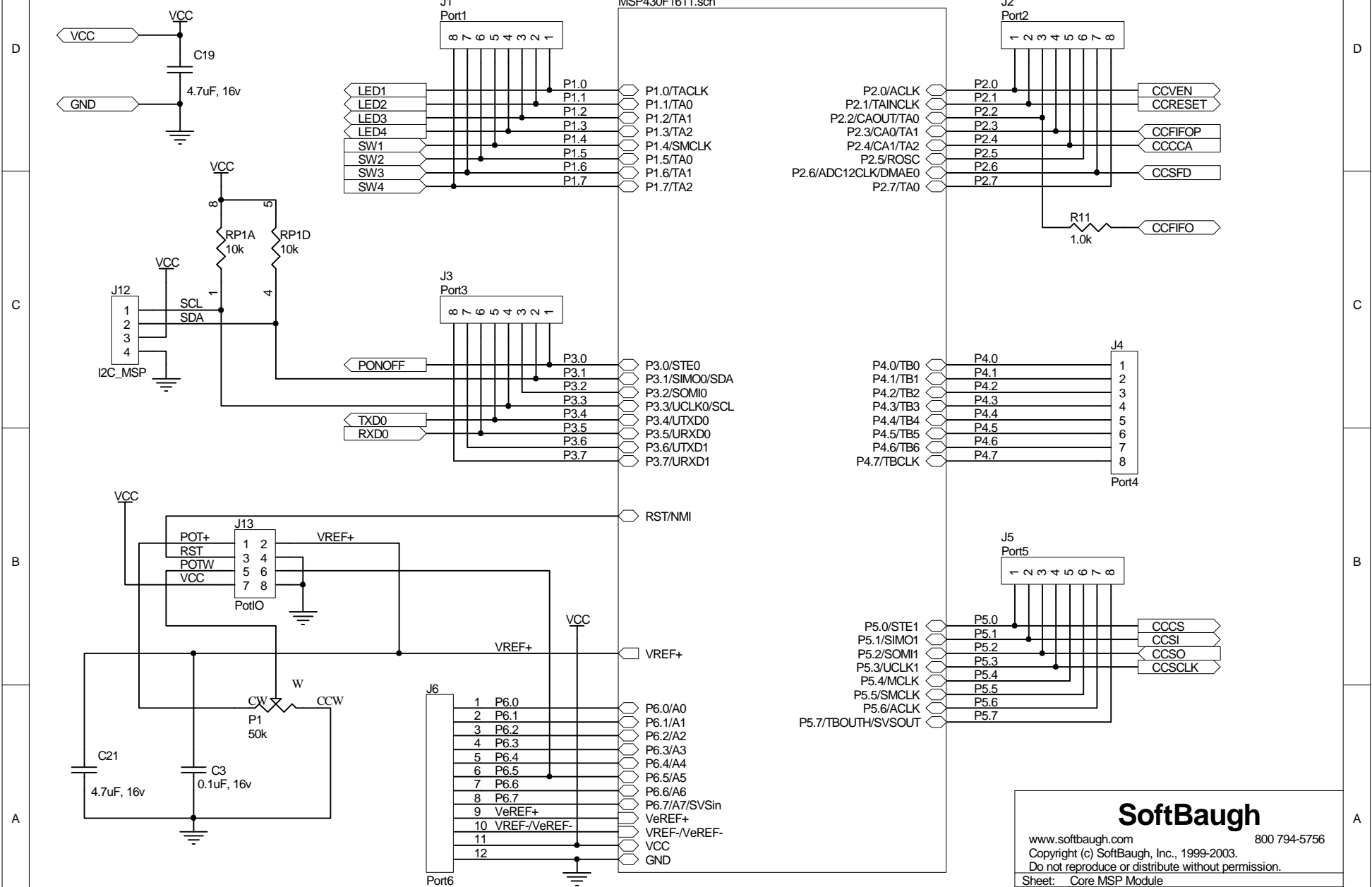
SoftBaugh
 www.softbaugh.com 800 794-5756
 Copyright (c) SoftBaugh, Inc., 1999-2003.
 Do not reproduce or distribute without permission.

Sheet: Input/Output
Project: DZ1611/DZ1612
Date: 28-Oct-2005

Core MSP Module

DZ1611/DZ1612

MSP430F1611
MSP430F1611.sch



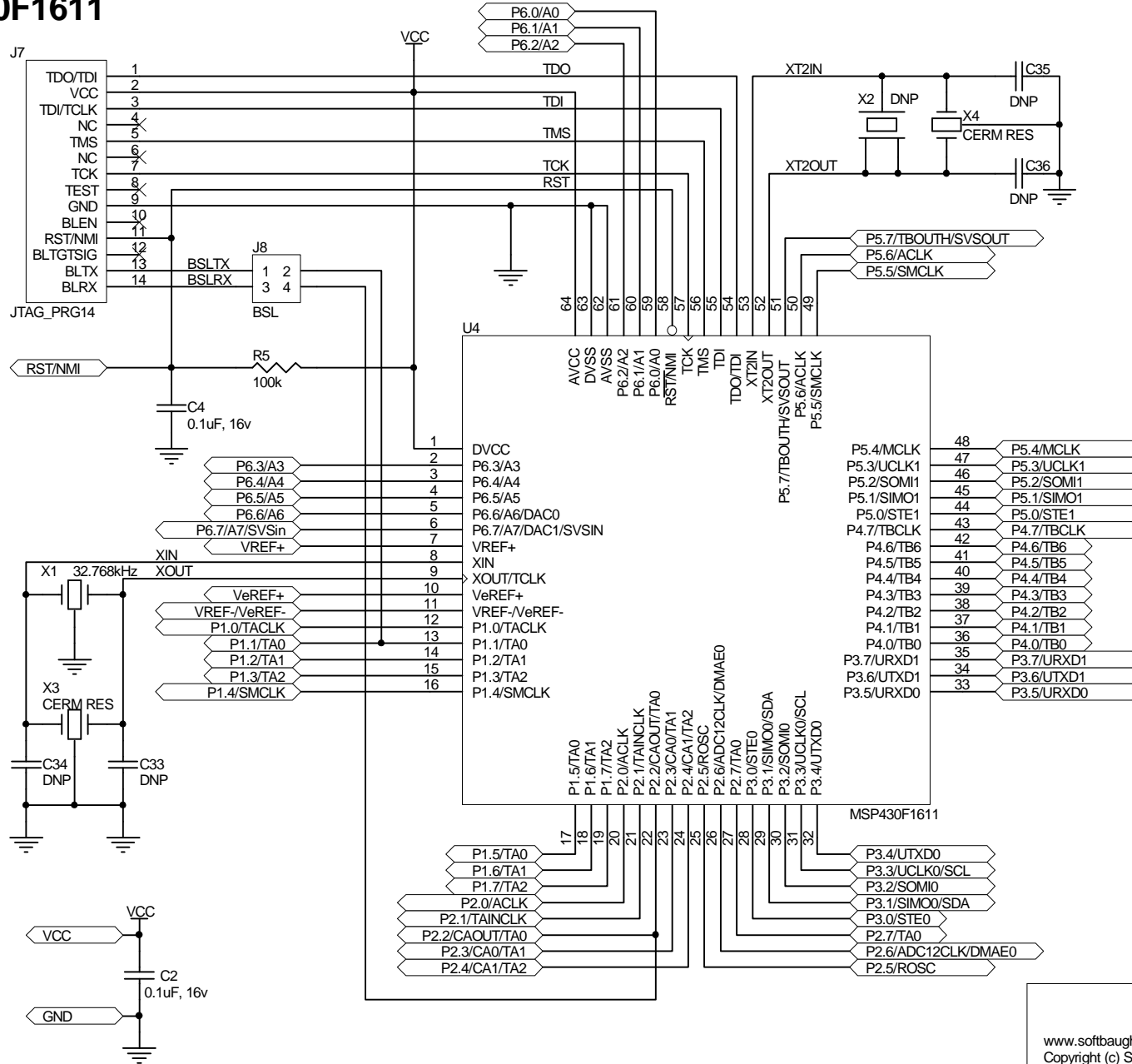
SoftBaugh

www.softbaugh.com 800 794-5756
 Copyright (c) SoftBaugh, Inc., 1999-2003.
 Do not reproduce or distribute without permission.

Sheet: Core MSP Module
Project: DZ1611/DZ1612
Date: 28-Oct-2005

MSP430F1611

DZ1611/DZ1612



SoftBaugh
 www.softbaugh.com 800 794-5756
 Copyright (c) SoftBaugh, Inc., 1999-2003.
 Do not reproduce or distribute without permission.
 Sheet: MSP430F1611
 Project: DZ1611/DZ1612
 Date: 28-Oct-2005 7 of 7 v. 1.1