



US011554244B2

(12) **United States Patent**  
**Jovanov**

(10) **Patent No.:** **US 11,554,244 B2**  
(45) **Date of Patent:** **\*Jan. 17, 2023**

(54) **SYSTEMS AND METHODS FOR  
MULTI-MODAL AND NON-INVASIVE  
STIMULATION OF THE NERVOUS SYSTEM**

(71) Applicant: **Board of Trustees of the University of  
Alabama, for and on behalf of the  
University of Alabama in Huntsville,**  
Huntsville, AL (US)

(72) Inventor: **Emil Jovanov,** Huntsville, AL (US)

(73) Assignee: **Board of Trustees of the University of  
Alabama, for and on behalf of the  
University of Alabama in Huntsville,**  
Huntsville, AL (US)

(\*) Notice: Subject to any disclaimer, the term of this  
patent is extended or adjusted under 35  
U.S.C. 154(b) by 8 days.  
  
This patent is subject to a terminal dis-  
claimer.

(21) Appl. No.: **16/884,246**

(22) Filed: **May 27, 2020**

(65) **Prior Publication Data**  
US 2020/0390997 A1 Dec. 17, 2020

**Related U.S. Application Data**

(63) Continuation of application No. 15/605,610, filed on  
May 25, 2017, now Pat. No. 10,688,274.  
(Continued)

(51) **Int. Cl.**  
*A61N 1/04* (2006.01)  
*A61N 1/36* (2006.01)  
(Continued)

(52) **U.S. Cl.**  
CPC ..... *A61M 21/00* (2013.01); *A61H 23/00*  
(2013.01); *A61H 23/02* (2013.01); *A61N*  
*1/0456* (2013.01);  
(Continued)

(58) **Field of Classification Search**  
None  
See application file for complete search history.

(56) **References Cited**  
U.S. PATENT DOCUMENTS

3,497,637 A 2/1970 Lawrence  
3,659,614 A 5/1972 Jankelson  
(Continued)

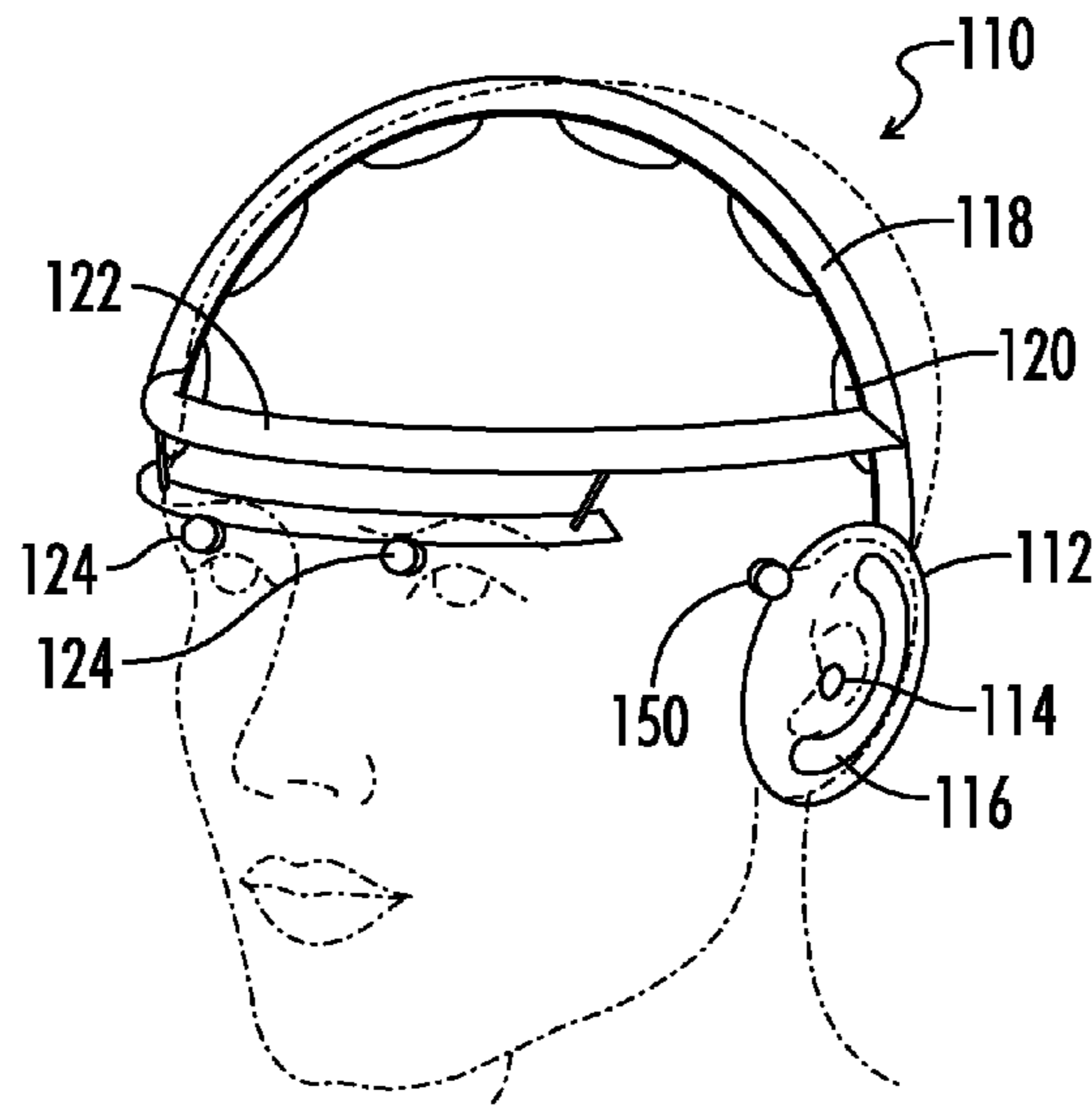
**OTHER PUBLICATIONS**

Emily Waltz, "DARPA to Use Electrical Stimulation to Enhance  
Military Training," [http://spectrum.ieee.org/the-human-os/biomedical/  
devices/.WQnuUvGCyNU.gmail](http://spectrum.ieee.org/the-human-os/biomedical/devices/.WQnuUvGCyNU.gmail), Apr. 26, 2017.  
(Continued)

*Primary Examiner* — Brian T Gedeon  
(74) *Attorney, Agent, or Firm* — Maynard Cooper &  
Gale, P. C.; Brian T. Sattizahn

(57) **ABSTRACT**  
Systems and methods are provided to combine multiple  
stimulation modalities to significantly increase the effective-  
ness of non-invasive stimulation. Multiple sensor and stimu-  
lation devices and modalities can be combined into a single,  
compact unit that minimizes the need for additional sensors  
or stimulation devices. The system features several subunits,  
referred to as sensory and stimulation devices (SSD), that  
are integrated into a headphone setup. The system is con-  
trolled by a centralized controller that communicates with all  
of the SSDs and with an external computer system that  
delivers learning material synchronized with the delivery of  
stimulations and the collection of user responses based on  
physiological signals.

**31 Claims, 6 Drawing Sheets**



**Related U.S. Application Data**

(60) Provisional application No. 62/342,096, filed on May 26, 2016.

(51) **Int. Cl.**

*A61N 2/00* (2006.01)  
*A61N 5/06* (2006.01)  
*A61M 21/00* (2006.01)  
*A61B 5/021* (2006.01)  
*A61B 5/024* (2006.01)  
*A61B 5/369* (2021.01)  
*A61B 5/00* (2006.01)  
*A61H 23/02* (2006.01)  
*A61H 23/00* (2006.01)

(52) **U.S. Cl.**

CPC ..... *A61N 1/36025* (2013.01); *A61N 2/002* (2013.01); *A61N 5/0618* (2013.01); *A61M 2021/0016* (2013.01); *A61M 2021/0022* (2013.01); *A61M 2021/0027* (2013.01); *A61M 2021/0044* (2013.01); *A61M 2021/0072* (2013.01); *A61M 2230/005* (2013.01); *A61M 2230/04* (2013.01); *A61M 2230/08* (2013.01); *A61M 2230/10* (2013.01); *A61M 2230/63* (2013.01); *A61M 2230/65* (2013.01); *A61N 2005/0626* (2013.01)

(56)

**References Cited**

U.S. PATENT DOCUMENTS

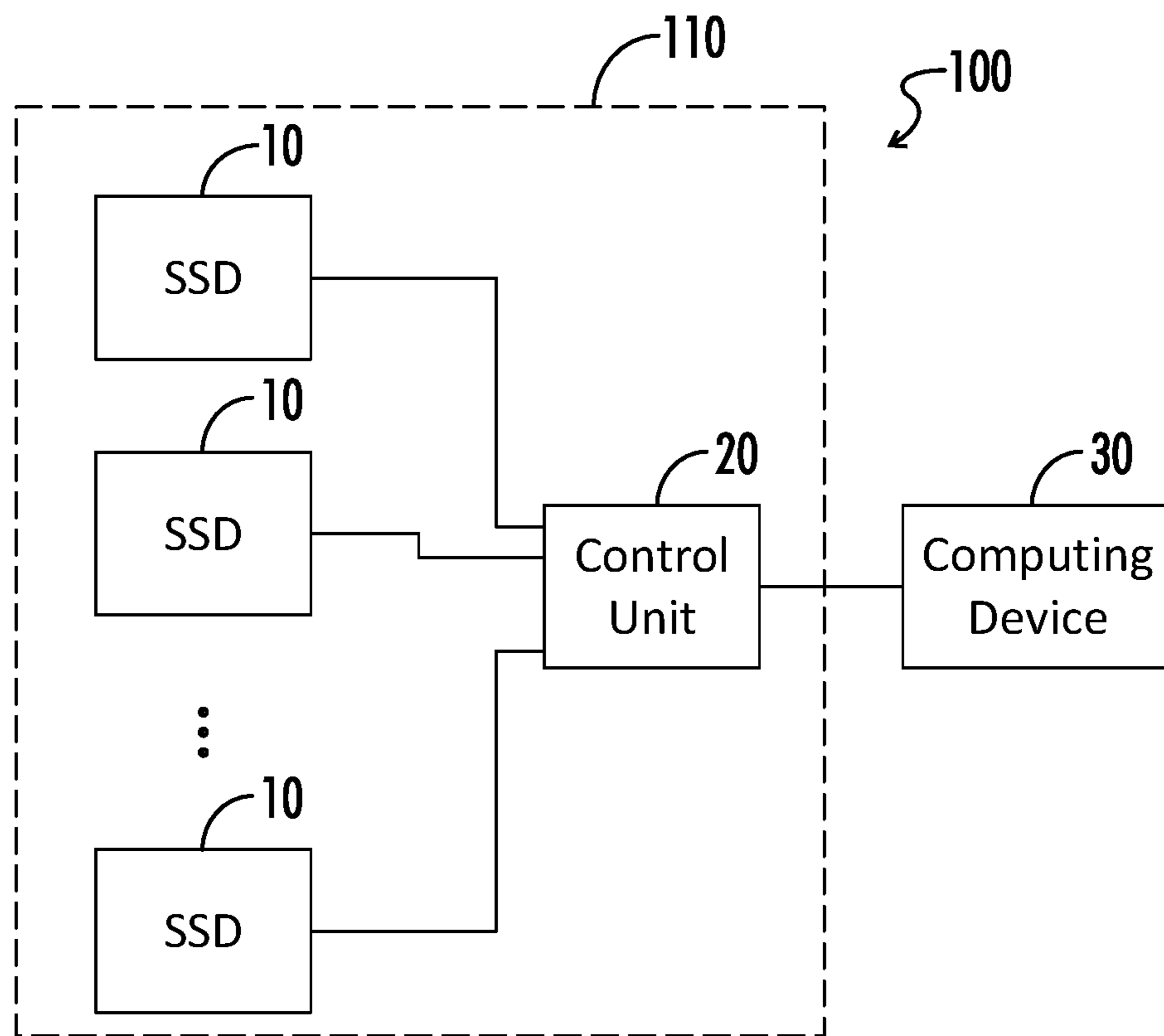
4,638,807 A 1/1987 Ryder  
 5,318,503 A 6/1994 Lord

5,514,175 A 5/1996 Kim  
 6,537,301 B1 3/2003 Kamei  
 6,556,868 B2 4/2003 Naritoku et al.  
 8,639,343 B2 1/2014 De Vos et al.  
 8,914,116 B2 12/2014 De Vos  
 8,972,024 B2 3/2015 Walker  
 9,242,092 B2 1/2016 Simon et al.  
 9,248,286 B2 2/2016 Simon et al.  
 9,254,383 B2 2/2016 Simon et al.  
 9,579,060 B1\* 2/2017 Lisy ..... A61B 5/302  
 9,782,584 B2 10/2017 Cartledge  
 2005/0165460 A1 7/2005 Erfan  
 2012/0197355 A1 8/2012 Braun  
 2014/0316456 A1 10/2014 Ando  
 2015/0066104 A1\* 3/2015 Wingeier ..... A61N 1/0456  
 607/45  
 2015/0282731 A1\* 10/2015 Hill ..... A61B 5/18  
 600/545  
 2016/0015289 A1 1/2016 Simon  
 2016/0022167 A1\* 1/2016 Simon ..... A61B 5/378  
 600/301  
 2016/0235352 A1 8/2016 DiLorenzo  
 2017/0165485 A1 6/2017 Sullivan  
 2018/0021564 A1 1/2018 Goodall  
 2018/0040258 A1 2/2018 Kouache  
 2018/0256888 A1 9/2018 Wingeier

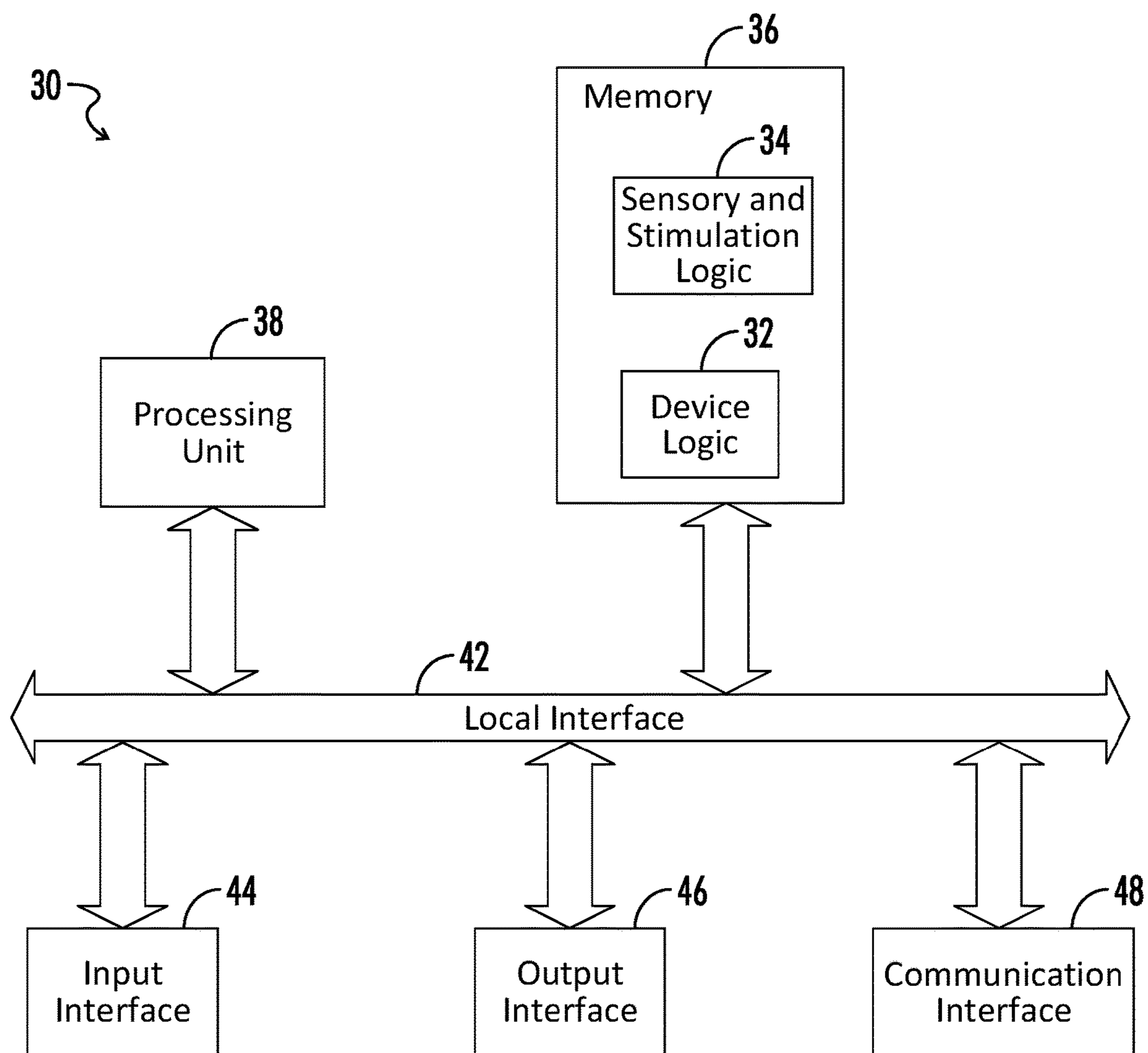
OTHER PUBLICATIONS

Emil Jovanov, U.S. Appl. No. 15/605,610, entitled, "Systems and Methods for Multi-Modal and Non-Invasive Stimulation of the Nervous System," filed May 25, 2017.

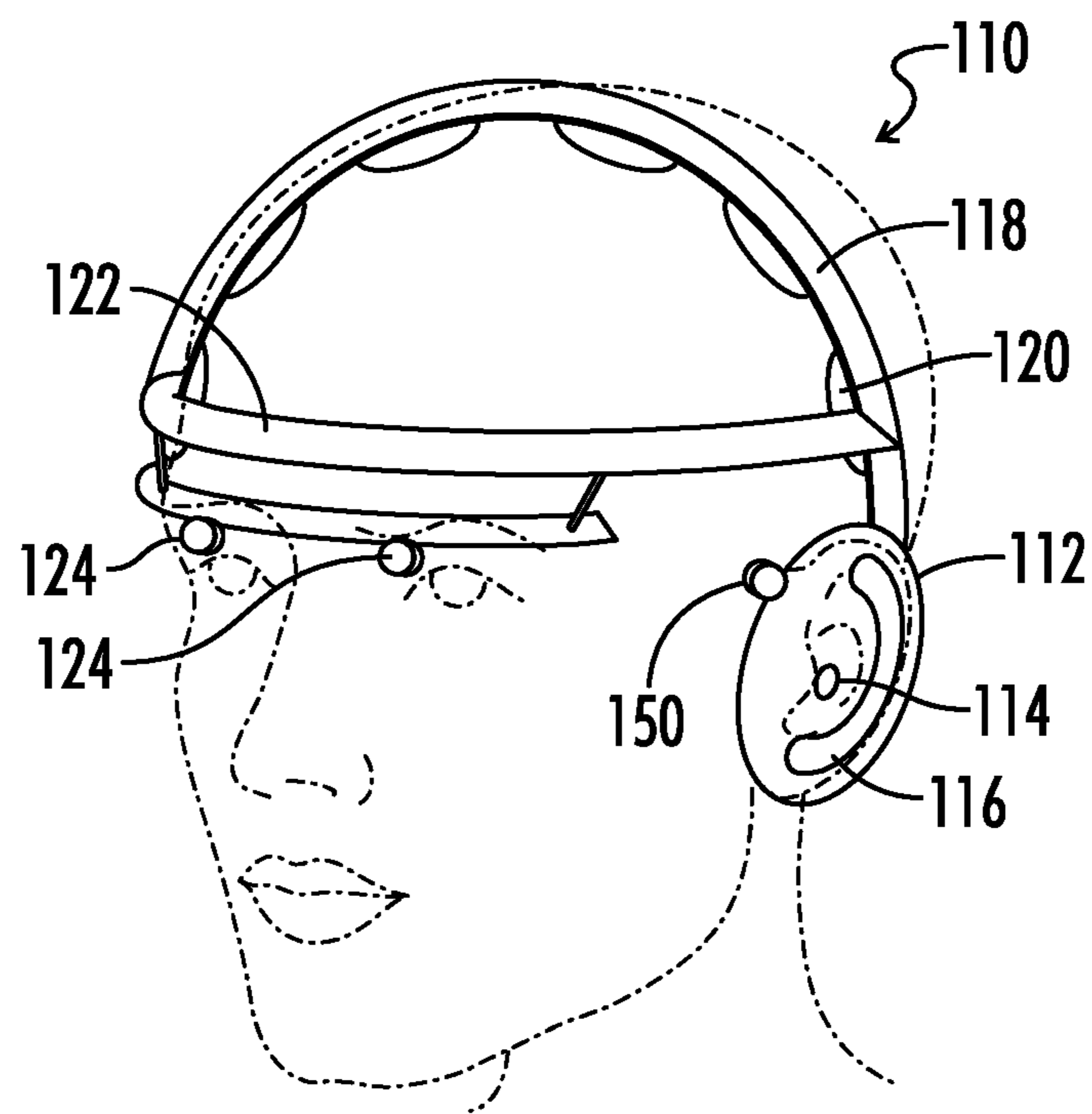
\* cited by examiner



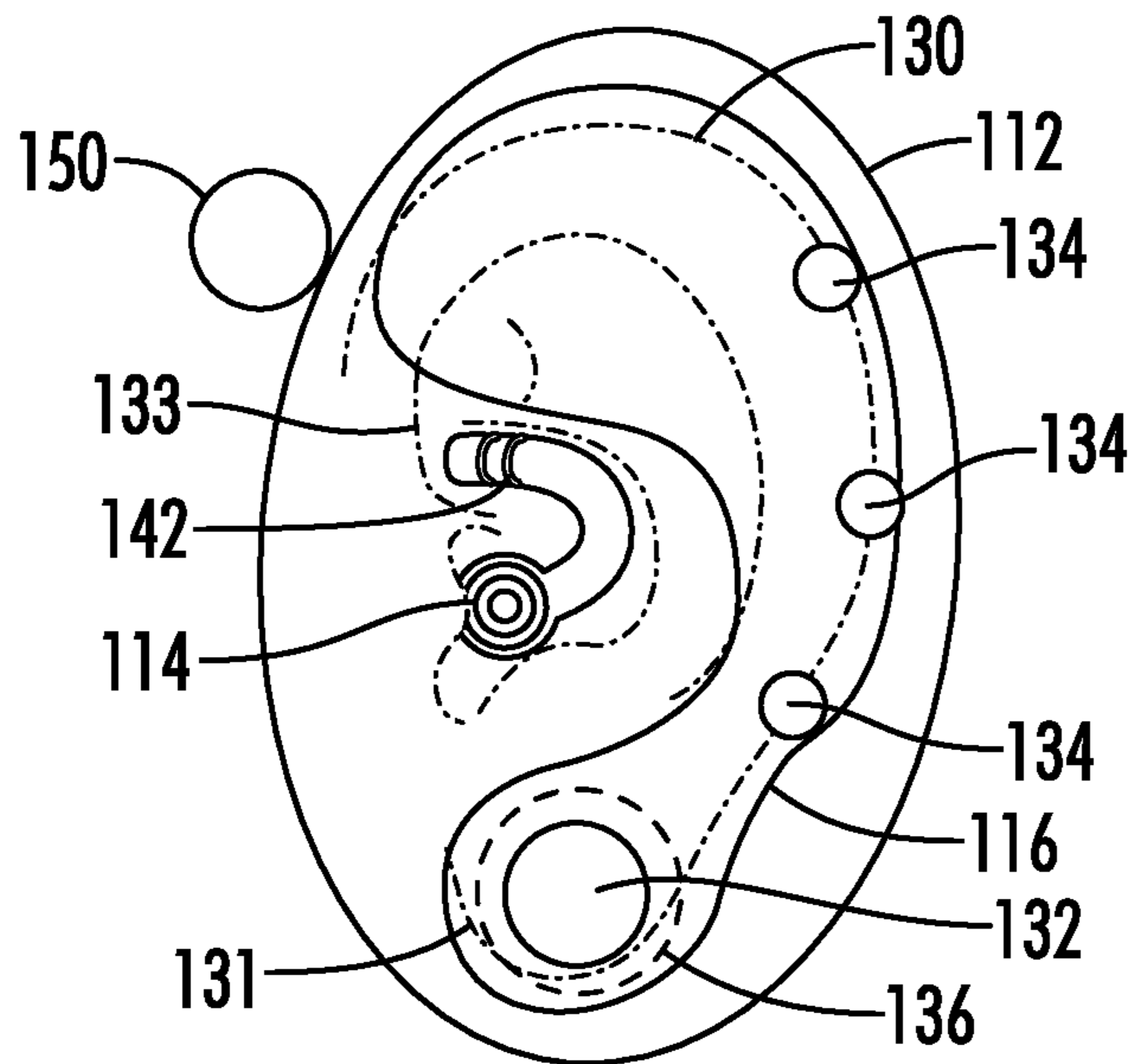
**FIG. 1**



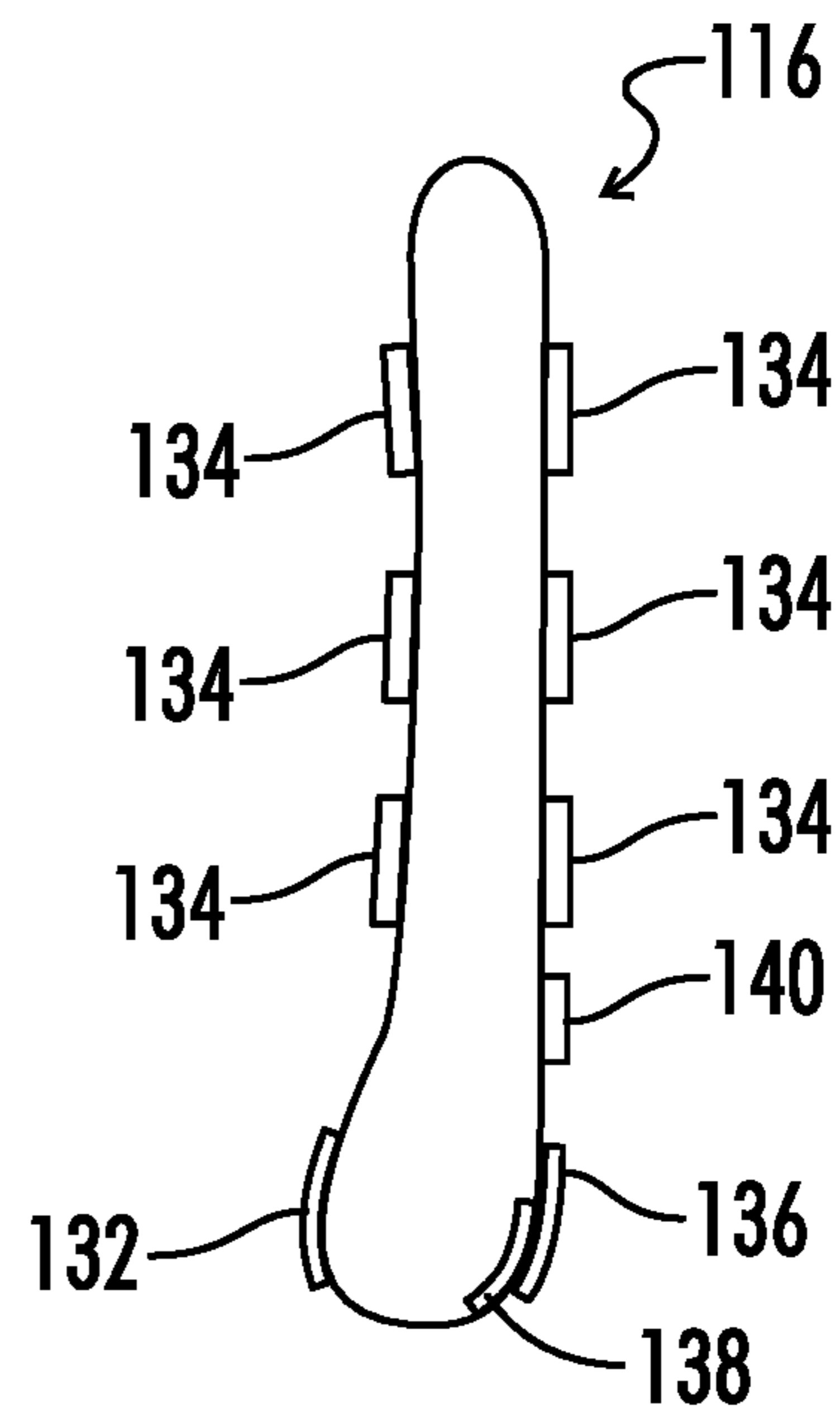
**FIG. 2**



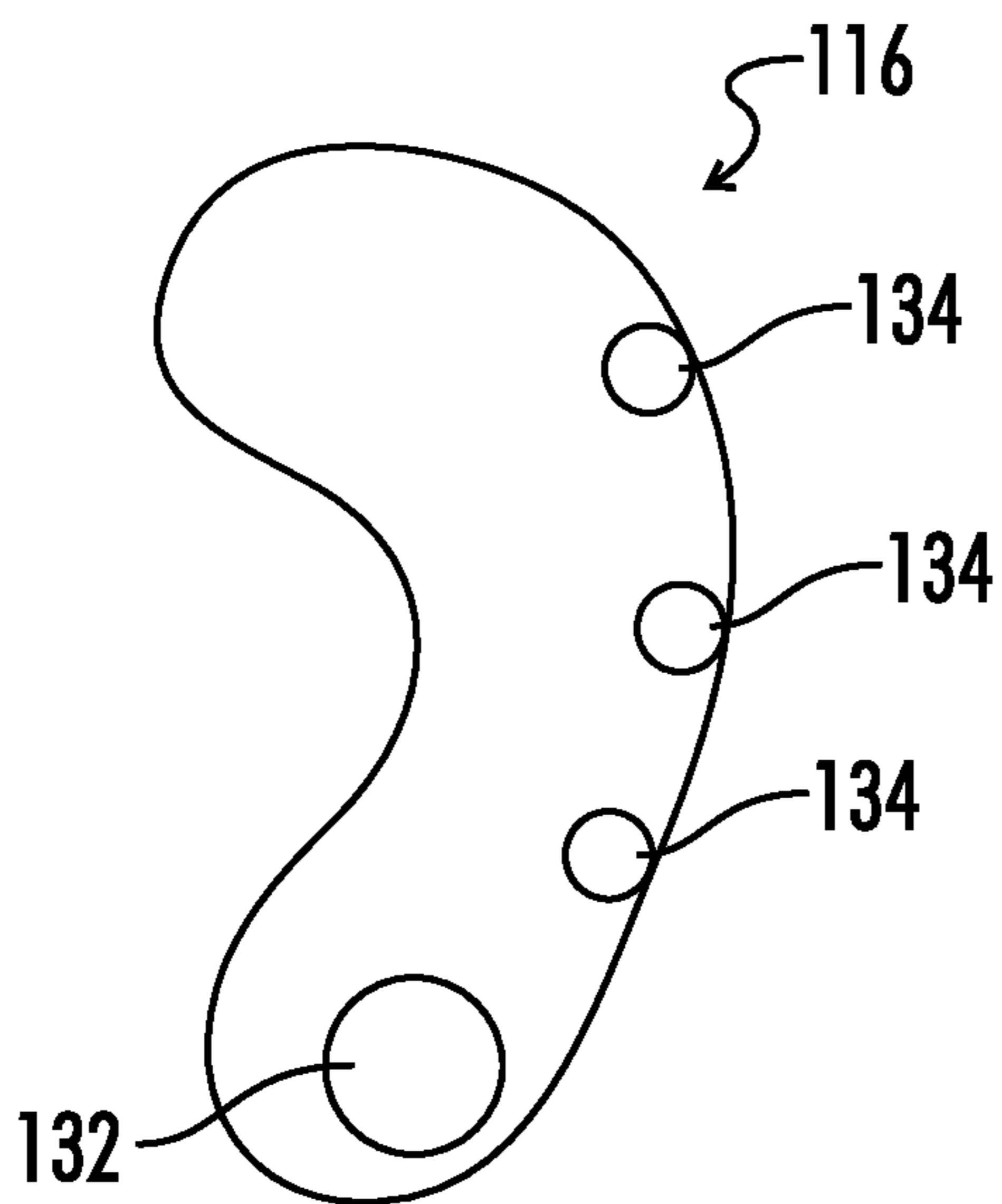
**FIG. 3**



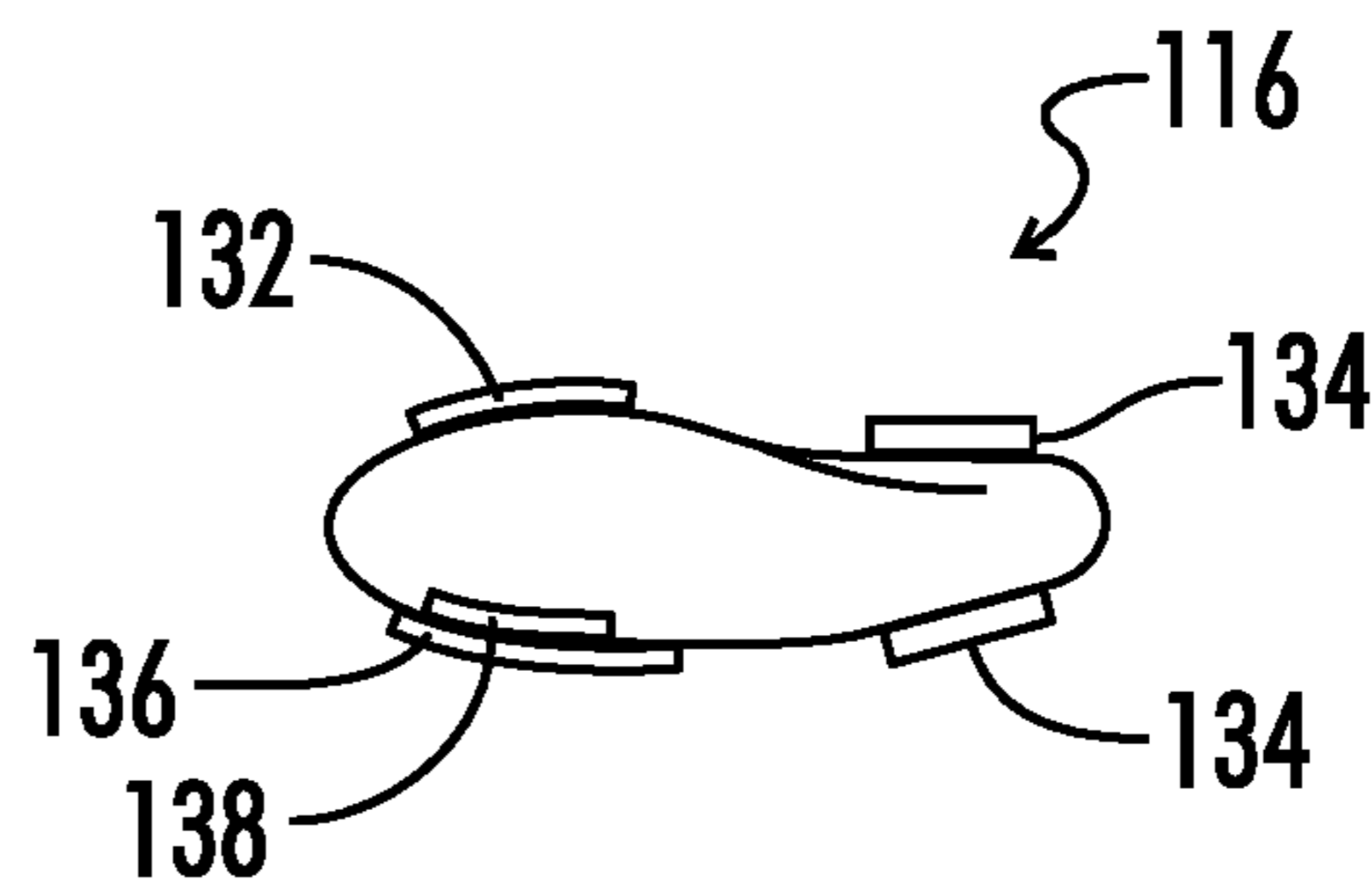
**FIG. 4**



**FIG. 5B**



**FIG. 5A**



**FIG. 5C**

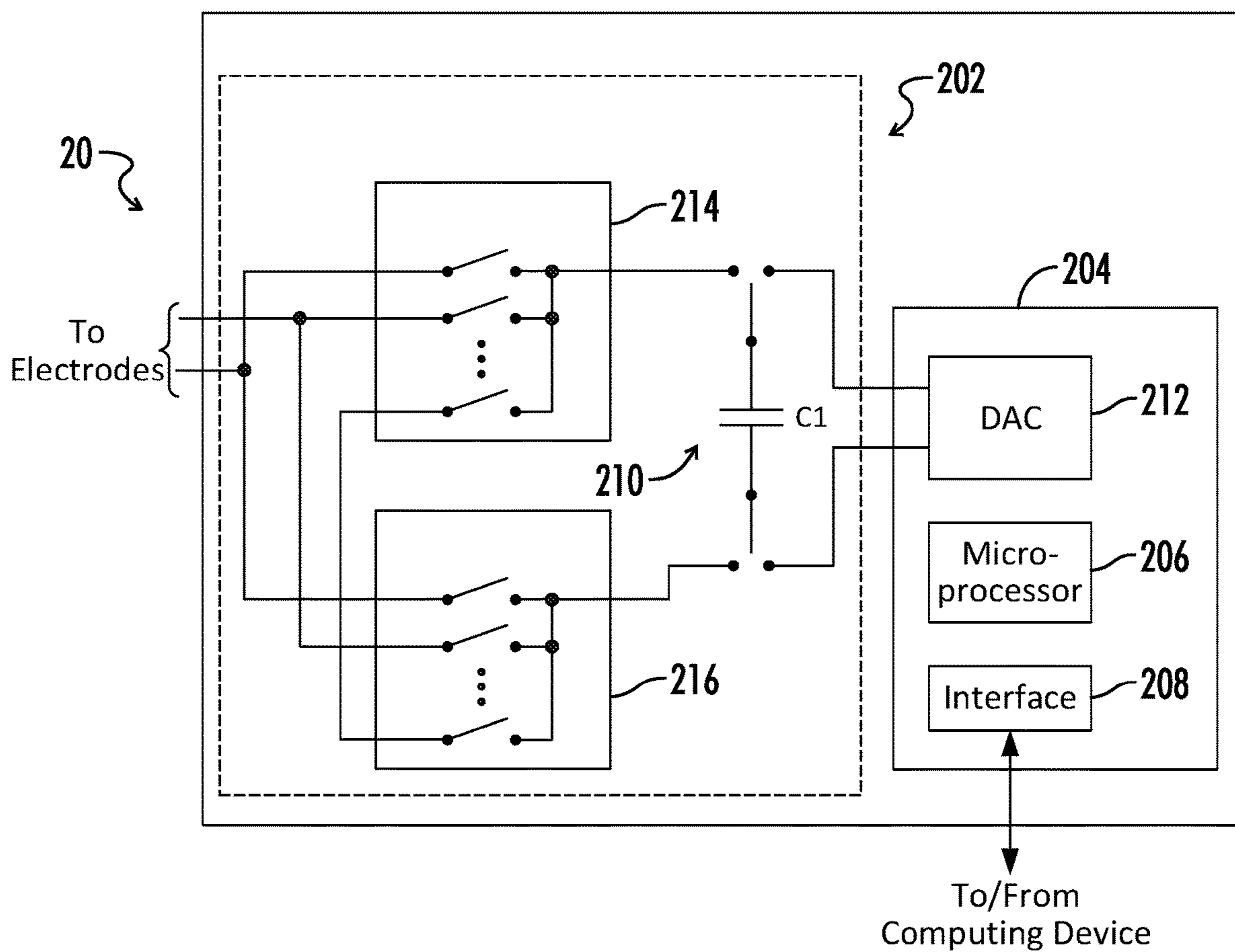


FIG. 6

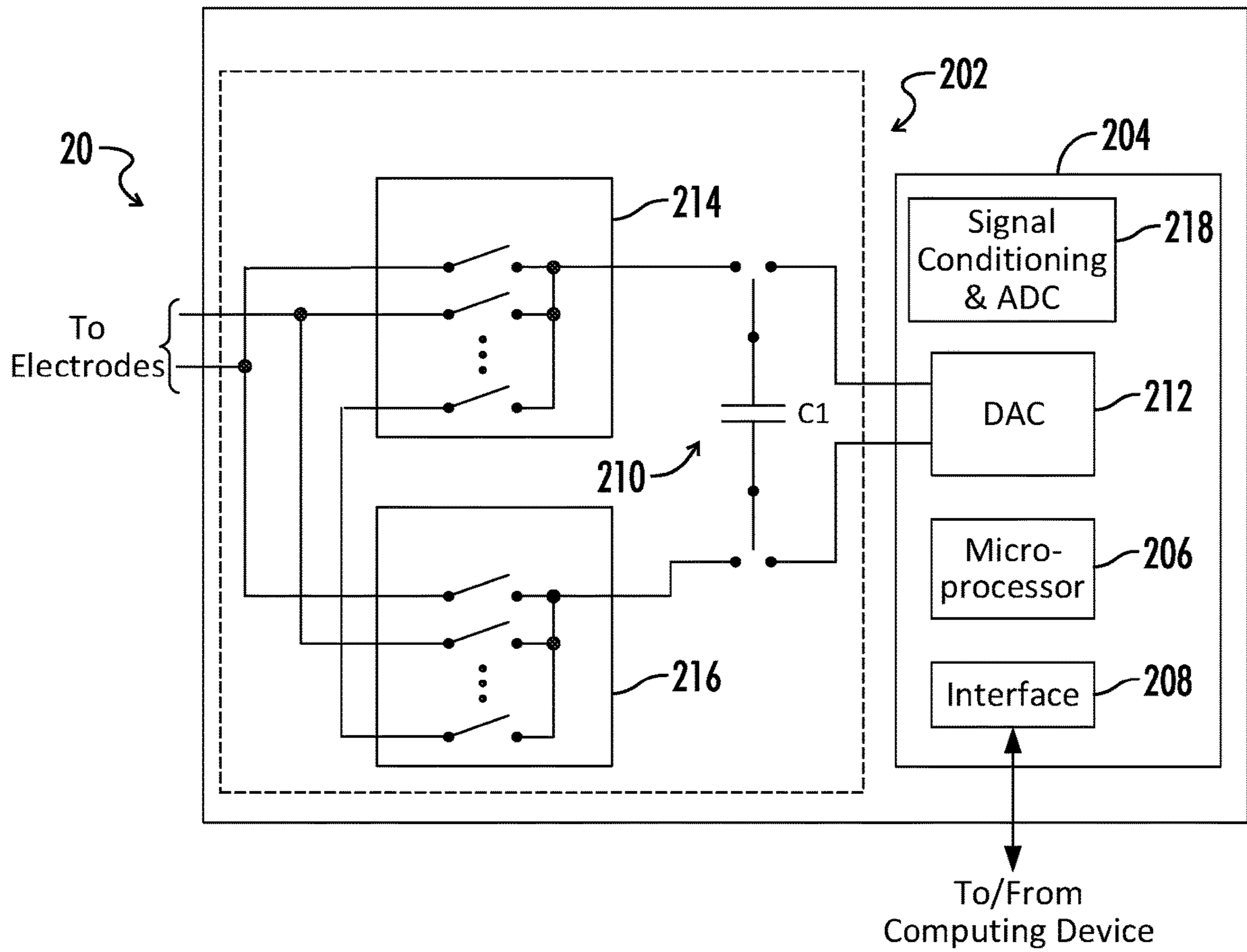


FIG. 7



**SYSTEMS AND METHODS FOR  
MULTI-MODAL AND NON-INVASIVE  
STIMULATION OF THE NERVOUS SYSTEM**

CROSS-REFERENCE TO RELATED  
APPLICATION

This application is a continuation of and claims priority to U.S. patent application Ser. No. 15/605,610, entitled "Systems and Methods for Multi-Modal and Non-Invasive Stimulation of the Nervous System" and filed on May 25, 2017, which is incorporated herein by reference. U.S. patent application Ser. No. 15/605,610 claims priority to U.S. Provisional Application No. 62/342,096, entitled "Devices and Methods for Multi-Modal Non-Invasive Stimulation of the Autonomous and Central Nervous System" and filed on May 26, 2016, which application is hereby incorporated by reference in its entirety.

BACKGROUND

The present application relates to systems and methods for multi-modal and non-invasive stimulation of the autonomous and central nervous system. More specifically, the present application relates to methods and apparatus for multi-modal augmentation of neural plasticity of the nervous system and modification of the psycho-physiological state of the user.

Electrical stimulation can be used to stimulate brain and nervous system activity for many different purposes. For example, electrical stimulation can be used to attempt to restore memory, increase cognitive function, modify psychophysiological state and for therapeutic purposes. The electrical stimulation can be applied through invasive and non-invasive techniques. Typically, non-invasive techniques are used for the convenience of the patient undergoing the electrical stimulation. Non-invasive techniques can typically involve the placement of electrodes near one or more nerves and/or the brain of the patient. The electrodes can then be used to apply a constant current to the nerves and/or brain in order to change the activity of the nerves and/or brain of the patient to get a desired response. The electrodes may also be used to apply a spatio-temporal activation pattern to the nerves and/or brain of the patient in order to target specific nerves or regions of the brain to obtain a specific response.

When electrical stimulation is being used on a patient, other forms of stimulation (e.g., visual stimulation or audible stimulation) are not typically used or require the use of separate systems having separate controls that are not integrated with the electrical stimulation controls. In addition, when attempting to monitor the results of electrical stimulation (or other stimulations), separate monitoring systems are required that can be cumbersome to the patient and require integration with the electrical stimulation system (or other system being used) in order to be able to identify potential responses to stimulation treatments.

SUMMARY

The present application generally pertains to combining multiple stimulation modalities to significantly increase the effectiveness of non-invasive stimulation. Multiple sensor and stimulation devices and modalities can be combined into a single, compact unit that minimizes the need for additional sensors or stimulation devices. The system features several subunits, referred to as sensory and stimulation devices (SSD), that are integrated into a headphone setup. The

system is controlled by a centralized controller that communicates with all of the SSDs and with an external computer system that delivers learning material synchronized with the delivery of stimulation and collection of physiological signals.

Physiological signals can be used to assess the psychophysiological state of the user and to modulate the user's psychophysiological state in order to optimize performance and/or reach an optimum state of activation of the autonomous and central nervous system for the given application. When performing cognitive tasks a user requires an optimum arousal level. If the user's arousal level is too low or too high, the user can have suboptimal cognitive performance. The arousal level of a user can be modified using breathing, audio stimulation (binaural beats), vibration/bone conduction, photic stimulation, and non-invasive stimulation of branches of the vagus nerve. The arousal level of a user can be assessed using a combination of: a) heart rate; b) heart rate variability; c) respiration; d) respiratory sinus arrhythmia (i.e., a change of heart rate caused by respiration); e) galvanic skin response; f) brain electrical activity (e.g., electroencephalogram or EEG); g) pupil dilation; and/or h) vascular tone.

The system and combination of sensors can collect a maximum number of signals in a compact, unobtrusive unit and provide non-invasive stimulation to modulate the physiological state of the user. Optimum sensing and stimulation can be personalized to the user by combining the monitored signals and their features for the optimum assessment of the user's state and stimulation. In one embodiment, a linear combination of individual parameters with weight factors for each feature can be developed for each user. The training process for the system to assess individual weight factors may include the subjective feeling/feedback of the user, as well as, objective measures of the cognitive performance of the user for the given task.

One advantage of the present application is that it can be used for augmentation of cognition, recovery from traumatic brain injury or stroke, implementation of relaxation techniques, and for changing a state of consciousness.

Another advantage of the present application is that it can be used to improve performance or change psychophysiological state of the user.

Other features and advantages of the present application will be apparent from the following more detailed description of the identified embodiments, taken in conjunction with the accompanying drawings which show, by way of example, the principles of the application.

BRIEF DESCRIPTION OF THE DRAWINGS

FIG. 1 is a block diagram of an embodiment of a multi-modal sensor and stimulation system.

FIG. 2 is a block diagram of an embodiment of a computing device of the multi-modal sensor and stimulation system of FIG. 1.

FIG. 3 is an embodiment of the user wearable device of the multi-modal sensor and stimulation system of FIG. 1.

FIG. 4 is an embodiment of the interior components of the headphone pad of the user-wearable device of FIG. 3 relative to a user's ear.

FIG. 5A is a front view of an embodiment of the auricular SSD from FIG. 4.

FIG. 5B is a side view of an embodiment of the auricular SSD from FIG. 4.

FIG. 5C is a bottom view of an embodiment of the auricular SSD from FIG. 4.

3

FIG. 6 is a block diagram of an embodiment of the control unit of FIG. 1 with switched capacitor charge stimulation device.

FIG. 7 is a block diagram of an embodiment of the control unit of FIG. 1 with a switched capacitor charge stimulation device with monitoring of the stimulation site.

Wherever possible, the same reference numbers are used throughout the drawings to refer to the same or like parts.

#### DETAILED DESCRIPTION

The present application generally pertains to systems and methods for providing several non-invasive stimulations to a user. The user can place a device (e.g., headgear) on the user's head to receive the non-invasive stimulations. The headgear can incorporate several different types of sensory and stimulation devices (SSDs) to provide the stimulations to the user. The different types of stimulation can include electrical stimulation, audio stimulation, photic stimulation, vibration stimulation, olfactory stimulation and electromagnetic stimulation. In addition to providing stimulation to the user, the headgear can also include different sensors to measure different physiological parameters of the user. The sensors of the headgear can be used to measure the electroencephalogram, the electrocardiogram, the photoplethysmogram, the electrooculogram and/or the balistocardiograph of the user. Using the measurements from the sensors, different physiological parameters of the user can be determined such as brain activity, heart rate, blood pressure, respiration rate, etc., to assess activity of central and autonomous nervous system.

The headgear worn by the user can include a top headband that is positioned on top of the user's head and a front headband that is positioned on the user's forehead. Each of the headbands can include electrical contacts that can be used to provide both electrical stimulation to the user and to measure physiological parameters of the user. In addition, the headgear can include ear pads that are placed over the ears of the user. The ear pads can include both an ear bud placed in the ear and an SSD that is placed behind the ear. The ear bud can be used to provide audio stimulation to the user and can include a stimulation device that can be used to provide electrical stimulation to a branch of the vagus nerve. The behind the ear SSD can include electrodes that are placed in contact with both the ear of the user and the head of the user to provide both electrical stimulation to the user and to measure physiological parameters of the user. The behind the ear SSD can also include a reference electrode that is in contact with the user to provide a reference when measuring a physiological parameter of a user. The behind the ear SSD can also include a pulse oximeter in contact with the lobule of the user and a vibration device that is in contact with the user to provide vibration stimulation to the user.

All of the sensors and stimulation devices of the head gear can be in communication with a control unit. The control unit can be integrated into the headgear or can be in a separate housing that is coupled to the headgear. The control unit can send signals to and receive signals from each of the SSDs. The control unit can be in communication with a central computer that controls the operation of the SSDs of the head gear. The central computer can provide instructions to the control unit to implement a variety of different stimulation sequences to the user, including instructions to provide targeted electrical stimulation to certain areas of the brain. As the control unit receives the sensor measurements from the SSDs, the control unit can provide the measurements to the central computer. The central computer can

4

then evaluate the user's response to the stimulations and make adjustments to the stimulations in order to achieve the desired results. Some adjustments that can be made to the stimulations include increasing or decreasing the duration of the stimulation, increasing or decreasing the magnitude of the stimulation and/or adding or removing particular types of stimulations.

In addition, the central computer can determine an arousal level of the user, which can be used to optimize the user's cognitive learning. The arousal level of the user can be determined with a combination of physiological parameters determined from the measurements of the sensors in the headgear. The physiological parameters may or may not be weighted when determining arousal level for the user. If the physiological parameters are weighted, then each individual user may have a different set of weights in order to determine that user's optimal arousal level. Further, the central computer can customize stimulation sequences for each user in order to maximize the user's benefit from the treatment.

FIG. 1 shows a block diagram embodiment of a multi-modal sensor and stimulation system 100. The multi-modal sensor and stimulation system 100 can include a user-wearable device 110 and a computing device 30 coupled to the device 110. The device 110 can include one or more sensory and stimulation devices (SSDs) 10 that can provide different types of stimulation to the user and measure the user's response to the different stimulations. The SSDs 10 can be coupled to a control unit 20 incorporated into the device 110. The control unit 20 can send instructions or signals to the SSDs 10 to control the operation of the SSDs 10. The control unit 20 can also receive data and/or signals from the SSDs 10 indicating the user's response to the stimulations. The control unit 20 can be coupled to the computing device 30 to receive instructions from the computing device 30 for the SSDs 10 and to provide data from the SSDs 10 to the computing device 30. In one embodiment, the control unit 20 can communicate wirelessly (i.e., via electromagnetic or acoustic waves carrying a signal) with the computing device 30, but in other embodiments, it is possible for the control unit 20 to communicate with the computing device 30 over a conductive medium (e.g., a wire), fiber, or otherwise.

FIG. 2 shows an embodiment of the computing device 30. The computing device 30 may be implemented as one or more general or special-purpose computers, such as a laptop, hand-held (e.g., smartphone), desktop, or mainframe computer. The computing device 30 can include logic 32, referred to herein as "device logic," for generally controlling the operation of the computing device 30, including communicating with the control unit 20. The computing device 30 also includes sensory and stimulation logic 34 to control the operation of the SSDs 10 and to process the data and information measured by the SSDs 10. The device logic 32 and the sensory and stimulation logic 34 can be implemented in software, hardware, firmware or any combination thereof. In the computing device 30 shown in FIG. 3, the device logic 32 and the sensory and stimulation logic 34 are implemented in software and stored in memory 36 of the computing device 30. Note that the device logic 32 and the sensory and stimulation logic 34, when implemented in software, can be stored and transported on any non-transitory computer-readable medium for use by or in connection with an instruction execution apparatus (e.g., a microprocessor) that can fetch and execute instructions. In the context of this application, a "computer-readable medium" can be any device, system or technique that can contain or store a

## 5

computer program for use by or in connection with an instruction execution apparatus.

The computing device **30** includes at least one conventional processing unit **38**, which has processing hardware for executing instructions stored in memory **36**. As an example, the processing unit **38** may include a digital signal processor or a central processing unit (CPU). The processing unit **38** communicates to and drives the other elements within the computing device **30** via a local interface **42**, which can include at least one bus. Furthermore, an input interface **44**, for example, a keyboard, a mouse, touchscreen, sensor or any other interface device or apparatus, can be used to input data from a user of the computing device **30**, and an output interface **46**, for example, a printer, monitor, liquid crystal display (LCD), or other display apparatus, can be used to output data to the user of the computing device **30**. Further, a communication interface **48**, such as at least one modem, may be used to communicate with control unit **20**.

FIG. **3** shows an embodiment of a user-wearable device **110**. In one embodiment, as shown in FIG. **3**, the device **110** can be a type of headgear that is worn on the head of the user. However, in other embodiments, different configurations of the device **110** can be used. The device **110** can include headphone pads **112** that are placed in proximity to one or both of the ears of the user. In one embodiment, the headphone pads **112** can be circumaural pads that surround the ear. However, in other embodiments, different configurations of the headphone pads **112** (e.g., supra-aural) can also be used. The headphone pads **112** can incorporate one or both of speakers or earbuds **114** (that operate as an SSD), one or more trigeminal SSDs **150** located near the temple between the ear and eye, and one or more auricular SSDs **116** located behind the ear. The device **110** can include a top headband **118** with one or more electrodes **120** that can provide electrical stimulation to the top of the head of the user and a front headband **122**. In one embodiment, the front headband **122** can include one or more photic SSDs **124** to provide photic stimulation to one or both of the user's eyes. In another embodiment, the photic SSDs **124** can be integrated into (or connected to) eyewear that is worn by the user. In other embodiments, the front headband **122** can include a virtual/augmented reality display or a screen/projection unit. In still other embodiments, the front headband **122** can include one or more electrodes (not shown) to provide electrical stimulation and/or a SSD (not shown) that can provide olfactory stimulation and monitoring.

FIG. **4** shows an embodiment of the interior components of the headphone pad **112** relative to a user's ear. As shown in FIG. **4**, the auricular SSD **116** can be located behind the ear lobe **130** of the user. In one embodiment, the auricular SSD **116** can be a soft anatomically shaped device that can comfortably reside behind the ear of the user for prolonged periods of time. In another embodiment, the auricular SSD **116** can have an arcuate shape to fit behind the ear of the user. As shown in FIGS. **5A-5C**, the auricular SSD **116** can include a photoplethysmogram (PPG) sensor **132** (e.g., a pulse oximeter) to measure the PPG of the user. The PPG represents blood volume pulse and can be used to measure or assess: a) heart rate (HR); b) heart rate variability (HRV); c) breathing rate (BR); and d) vascular tone using blood volume pulse or pulse travel time (PIT) as a latency of the PPG peak from the R peak in an electrocardiogram (ECG). The PPG sensor **132** can be implemented on the front of the auricular SSD **116** to allow good contact with the lobule **131** (see FIG. **2**) of the ear, which is a location that can be used for PPG sensing.

## 6

The auricular SSD **116** can also include one or more electrical contacts (or electrodes) **134** for the monitoring of heart activity (e.g., an ECG), brain electrical activity (e.g., an electroencephalogram (EEG)), or galvanic skin response (GSR). The electrodes **134** can be located on one or both sides of the auricular SSD **116** to contact either a portion of the user's ear or a portion of the user's head (e.g., the temporal bone or the mastoid bone). An electrical contact (or electrode) **136** for the EEG reference can be located at the bottom of the auricular SSD **116** in contact with the mastoid bone or the lobule **131**. A vibrator or speaker **138** can be used to apply stimulation using bone conduction. An accelerometer **140** can be used for detection of a balistocardiograph (BCG) representing motion caused by the mechanical movement of the heart. In one embodiment, the delay between the BCG and the PPG is a function of vascular tone/blood pressure and can be used to assess the arousal of the user.

The trigeminal SSD **150** can be attached to the exterior of the headphone pad **112** in one embodiment. However, in other embodiments, the trigeminal SSD **150** can be incorporated within the headphone pad **112** such that the headphone pad **112** has an enlarged region enclosing the trigeminal SSD **150**. In still other embodiments, the trigeminal SSD **150** can be integrated into the front headband **122**. The trigeminal SSD **150** can include one or more electrodes that are positioned near the temple to provide electrical stimulation to branches of the trigeminal nerve.

The earbud **114** can be a soft anatomically shaped device that can comfortably reside in the ear with good contact with the cymba concha region **133** of the ear. Acoustic stimulation can be delivered through a speaker in the earbud **114** and the electrical stimulation of branches of the vagus nerve (VNS stimulation) can be delivered through electrical contacts **142** of a stimulator that resides on soft extension of the earbud **114** designed to fit the anatomical shape of the cymba concha region. While not shown in FIGS. **3** and **4**, the control unit **20** can be incorporated in the headphone pad **112**. However, in other embodiments, the control unit **20** may be incorporated into other portions of the device **110** (e.g., top headband **118**).

Referring back to FIG. **3**, the top headband **118** can integrate EEG sensors with stimulation electrodes **120**. In one embodiment, the placement of the sensors/stimulation electrodes **120** can follow standard EEG electrode placements, such as the international **10-20** system. The photic SSDs **124** can be integrated into a separate band near the eyes of the user, integrated into the front headband **122**, into eyeglasses or virtual reality goggles, or implemented as a modulation of the virtual or augmented personal display. The photic SSDs **124** can provide cues for the pacing of the user's breathing or generate a Steady State Visual Evoked Response (SSVER) from the user. The SSVER can be recorded with the behind the ear SSD device **116** or by sensors in the front headband **122** and used to assess the focused attention of the user. Olfactory stimulation can be implemented in a separate band close to the nose of the user or integrated into the other parts of the system, such as the front headband **122** or a virtual reality display. Olfactory stimulation can be controlled by the central computer **30** (see FIG. **1**) to provide an emotional response as a "reward" for successful execution of a task to strengthen learning by subliminal stimulation.

In one embodiment, magnetic field stimulation can be integrated into the device **110** by using coils instead of electrodes in one or more of the top headband **118**, the front headband **122** and the auricular SSD **116**.

The device **110** can be used to detect one or more the following signals from a user: an electroencephalogram (EEG); an electrooculogram (EOG); a photoplethysmogram (PPG); and a balistocardiogram (BCG). In other embodiments, the device **110** can be used to detect other signals from the user. The detected signals can be provided to the control unit **20**, which can then send the signals to the computing device **30** for processing by the sensory and stimulation logic **34**. The EEG can be detected with electrodes in one or more of the top headband **118**, the front headband **122**, and the auricular SSD **116**. The EOG can be detected with the photic SSDs **124** and/or the front headband **122**. The PPG can be detected with the PPG sensor **132**. The BCG can be detected with accelerometer **140**.

The device **110** and the computing device **30** can also be used to detect the following physiological parameters from a user: brain electrical activity using EEG; steady state evoked potentials (SSVEP) or steady state evoked response (SSVER); eye movement and blinking using EOG; heart rate using ECG, PPG and/or BCG; heart rate variability (HRV) using ECG and/or PPG; vascular tone (i.e., the time delay between ECG/BCG and PPG for each heart beat); galvanic skin response (GSR); respiration rate and effort from PPG; respiratory sinus arrhythmia (i.e., the change of heart rate or inter-beat intervals caused by respiration) using respiratory effort and RR intervals (i.e., the interval between successive Rs in the QRS complex of the ECG wave); blood pressure assessed using latency between ECG and PPG/BCG; and arousal as a personalized weighted combination of the above parameters. In other embodiments, the device **110** and the computing device **30** can be used to detect other physiological parameters from the user.

The sensory and stimulation logic **34** can provide signals or commands to the control unit **20** of the device **110** for one or more of the following stimulation types: electrical stimulation; audio stimulation; vibration stimulation; photic stimulation; olfactory stimulation; and electromagnetic field stimulation. In one embodiment, electromagnetic field stimulation can be integrated into the device **110** by using coils instead of electrodes in one or more of the top headband **118**, the front headband **122** and the auricular SSD **116**. Olfactory stimulation can be implemented into the device **110** using a separate band close to the nose of the user or integrated into the other parts of the system, such as the front headband **122** or a virtual reality display. Olfactory stimulation can be controlled by the central computer **30** (see FIG. 1) to provide an emotional response as a “reward” for successful execution of a task to strengthen learning by subliminal stimulation.

Photic stimulation may directly drive the visual cortex and create steady state visual evoked potentials across the cortex that can be measured and analyzed using EEG electrodes in the top headband **118**, the front headband **122** and the auricular SSD **116**. Vibration stimulation can provide similar binaural beats stimulation or direct stimulation at the target frequency (e.g., at the frequency of targeted brain electrical activity) using the vibrational device **138**. Audio stimulation using the earbud **114** can use binaural beats to generate brain electrical activity at the precise frequency of the difference in frequencies between the left and right ear.

The system **100** can implement electrical stimulation in the user as one or more of current stimulation with a constant or variable current (e.g., transcranial direct current stimulation or tDCS), voltage stimulation with a constant voltage or charge stimulation. Charge based stimulation can be used to

create biological effects. A switched capacitor circuit is used to generate a precise charge and then apply it to selected electrodes for stimulation.

FIG. 6 shows of an embodiment of the control unit **20** with a switched capacitor charge stimulation circuit or stimulator **202** controlled by a controller **204**. The controller **204** can control the stimulator **202** in real-time with a microprocessor **206** that communicates with the computing device **30** through interface **208**. Microprocessor **206** controls switches of a switched capacitor **210** to charge or discharge a capacitor C1. During charging of the capacitor C1, the switched capacitor **210** is connected to the digital to analog converter (DAC) **212** that generates an appropriate voltage as instructed by the microprocessor **206**. The voltage provided by the DAC **212** can be either positive or negative, depending on the required stimulation and the corresponding electrodes selected to apply the stimulation. The total charge (Q) on the capacitor C1 of the switched capacitor **210** can be based on the output voltage (V) from the DAC **212** and the capacitance (C) of the capacitor C1. In one embodiment, the total charge Q for the capacitor C1 can be determined by multiplying the output voltage V by the capacitance C.

Before applying the stimulation, the microprocessor **206** can control a first analog multiplexer **214** and a second analog multiplexer **216** to select the electrodes to receive stimulation. In one embodiment, the electrodes can be located in one or more of the top headband **118**, the front headband **122** and the auricular SSD **116**. As shown in FIG. 6, the stimulator **202** has leads or connections for two electrodes, but the stimulator **202** may have leads or connections for one electrode or more than two electrodes in other embodiments depending on the requirements of the application and the number of outputs in the first and second analog multiplexers **214**, **216**.

FIG. 7 shows of an embodiment of the control unit **20** with a switched capacitor charge stimulation circuit or stimulator **202** with monitoring of the stimulation site. For some applications, stimulation can be enhanced by applying stimulation synchronized with the native activity of the nervous system. Thus, monitoring of the stimulation site may be required in order to effectively perform the stimulation. Similar to the embodiment shown in FIG. 6, the stimulator **202** can be connected to the controller **204**. However, in the embodiment of FIG. 7, the controller **204** can include a signal conditioning circuit and analog to digital converter (ADC) **218** that is controlled by the microprocessor **206**.

The signal conditioning circuit and ADC **218** can be connected to the stimulation side of the switched capacitor **210**. By having the signal conditioning circuit and ADC **218** connected to the microprocessor **206**, the microprocessor **206** can monitor the voltage between selected electrodes before and after a stimulation caused by connecting the capacitor C1 to the corresponding electrodes. After reviewing the corresponding voltage between the electrodes, the microprocessor **206** can adjust the charge provided to the switched capacitor **210** by the DAC **212** in order to get a desired voltage between the electrodes.

In one embodiment, the system **100** can be used to create spatio-temporal activation patterns of stimulation using software controlled stimulation with charges of different intensity and polarity occurring at different times and in different electrodes. The sensory and stimulation logic **34** of computing device **30** can be used to create the spatio-temporal patterns and to control the intensity, polarity and timing of the charges provided by the stimulator **202** to the electrodes via communications with the controller **204**. In addition, the

sensory and stimulation logic **34** of computing device **30** can be used to provide stimulations at specific times and specific locations in the device **110** to obtain a better localization or focus of stimulation in the brain and nervous system. For example, specific electrodes in the top headband **118**, the front headband **122**, the trigeminal SSD **150** and the auricular SSD **116** can be used to obtain a more focused stimulation of a region of the brain or nervous system.

In one embodiment, the system **100** can facilitate non-invasive stimulation with real-time monitoring of users for numerous applications. For example, the possible applications for the system **100** can include improving neural plasticity, improving cognitive performance and providing relaxation techniques. To improve neural plasticity, the system **100** can provide a multi-modal, personalized combination of stimulations combined with the delivery of new material, or new exercise. Some examples can include learning or rehabilitation, such as stroke or traumatic brain injury rehabilitation. Other applications also include treatment of the post-traumatic stress disorder desensitization and reprocessing.

To improve cognitive performance, the system **100** can perform real-time monitoring of signals that allows the real-time assessment of the arousal of the user, while providing different stimulation modalities to facilitate modulation of arousal and overall psychophysiological state by keeping the user “in the zone.”

To provide relaxation techniques, the system **100** can provide multimodal stimulation and physiological entrainment to create deeply relaxed state in the user. Binaural beat entrainment using natural sounds can be combined with photic stimulation to transition the brain electrical activity of the user from Alpha to lower Alpha and Theta. Photic stimulation can create entrainment of breathing from the natural initial state as detected using sensors to a relaxed, slower, and deeper breathing. Optical stimulation can provide cues for breathing phases. The monitoring of the heart rate, heart rate variability, and respiratory sinus arrhythmia can provide assessment of strain to optimize basic physiology (breathing and heart rate) to the optimum level for the current state of the user. Closed loop control, entrainment, and stimulation by the system **100** can facilitate modification of the physiological state of the user in minimum time.

In one embodiment, the system **100** can be used to implement an interval performance boost methodology. The interval performance boost methodology can include a presentation phase, a learning phase and a consolidation phase. The presentation phase combines stimulations for a personalized optimization of the user’s arousal to improve the user’s cognitive performance and focused attention. The learning phase uses stimulation of memorization and repetition of the most important concepts to be learned by the user. The consolidation phase can create a deeply relaxed state with heightened awareness in the user by using sensory withdrawal with brain entrainment to consolidate the new material to be learned by the user.

In one embodiment, the multi-modal stimulations provided by the system **100** may be user-configurable. A user of the system may select the modes of stimulation to be performed on the user and may select the amounts (or percentages) that the selected stimulations are applied to the user. Once the user has selected the modes and amounts of stimulation, the computing device **30** can develop a stimulation regimen for the user based on the user-configured parameters. For example, a user may select to receive electrical stimulation for 50% of the regimen, audio stimulation for 30% of the regimen and photic stimulation for

20% of the regimen while foregoing other types of stimulation. In another embodiment, relative percentage of intensity of individual modalities might be selected according to user’s preferences.

Although the figures herein may show a specific order of method steps, the order of the steps may differ from what is depicted. Also, two or more steps may be performed concurrently or with partial concurrence. Variations in step performance can depend on the software and hardware systems chosen and on designer choice. All such variations are within the scope of the application. Software implementations could be accomplished with standard programming techniques, with rule based logic and other logic to accomplish the various connection steps, processing steps, comparison steps and decision steps.

It should be understood that the identified embodiments are offered by way of example only. Other substitutions, modifications, changes and omissions may be made in the design, operating conditions and arrangement of the embodiments without departing from the scope of the present application. Accordingly, the present application is not limited to a particular embodiment, but extends to various modifications that nevertheless fall within the scope of the application. It should also be understood that the phraseology and terminology employed herein is for the purpose of description only and should not be regarded as limiting.

What is claimed is:

**1.** A method of providing stimulation to a user, the method comprising:

providing at least two types of stimulation to a user with a user-wearable device, the at least two types of stimulation include charge based stimulation and at least one of photic stimulation, olfactory stimulation, audio stimulation, electromagnetic field stimulation or vibration stimulation;

monitoring a response by the user to the at least two types of stimulation with at least one sensor in the user-wearable device; and

adjusting the at least two types of stimulation provided to the user in response to the monitored response of the user.

**2.** The method of claim **1**, wherein the monitoring a response by the user includes monitoring at least one of brain activity of the user, heart activity of the user or galvanic skin response of the user.

**3.** The method of claim **1**, wherein the charge based stimulation is provided by a switched capacitor controlled by a microprocessor.

**4.** The method of claim **1**, wherein the monitoring a response by the user includes determining an arousal level of the user.

**5.** The method of claim **4**, wherein the adjusting the at least two types of stimulation to the user includes adjusting the at least two types of stimulation to modulate the arousal level of the user.

**6.** The method of claim **5**, wherein the adjusting the at least two types of stimulation to modulate the arousal level of the user includes providing a different stimulation modality to the user with the at least two types of stimulation.

**7.** The method of claim **5**, wherein the modulation of the arousal level of the user improves cognitive performance of the user.

**8.** The method of claim **5**, wherein the adjusting the at least two types of stimulation to modulate the arousal level of the user is personalized for the user.

**9.** The method of claim **5**, wherein the adjusting the at least two types of stimulation to modulate the arousal level

## 11

of the user includes adjusting the at least two types of stimulation to obtain a predetermined arousal level for the user.

10. The method of claim 4, wherein the arousal level of the user is based on the monitored response of the user, wherein the monitored response of the user corresponds to a plurality of physiological parameters of the user.

11. The method of claim 10, wherein the plurality of physiological parameters of the user are weighted to determine the arousal level of the user.

12. The method of claim 11, wherein the weighting of the physiological parameters of the user is customized for the user.

13. The method of claim 4, wherein determining an arousal level of the user includes assessing the arousal level of the user from a heart rate of the user and a heart rate variability of the user.

14. The method of claim 1, wherein the user-wearable device includes a headband having a plurality of electrodes configured to provide the charge based stimulation to the user and a headphone pad coupled to the headband, wherein the headphone pad comprises the at least one sensor and the at least one sensor is positioned in contact with an ear of the user to monitor the at least one physiological parameter of the user.

15. The method of claim 14, wherein the user-wearable device includes at least one sensory and stimulation device configured to provide the at least one of photic stimulation, olfactory stimulation, audio stimulation, electromagnetic field stimulation or vibration stimulation to the user.

16. The method of claim 15, wherein the at least one sensory and stimulation device is located in the headphone pad.

17. The method of claim 14, wherein providing at least two types of stimulation to a user includes providing a predetermined charge at a preselected electrode of the plurality of electrodes.

18. The method of claim 14, wherein providing at least two types of stimulation to a user includes creating a spatio-temporal activation pattern of stimulation by providing a plurality of predetermined charges to preselected electrodes of the plurality of electrodes, wherein a first predetermined charge provided to a first preselected electrode has a different intensity and polarity than a second predetermined charge provided to a second preselected electrode.

19. The method of claim 18, wherein providing the plurality of predetermined charges at a plurality of predetermined times such that the first predetermined charge occurs at a different time from the second predetermined charge.

20. A system to provide stimulation to a user, the system comprising:

a device worn by a user and comprising at least one electrode configured to provide a first type of stimulation to the user and at least one sensory and stimulation device (SSD) configured to provide a second type of stimulation to the user, wherein the first type of stimulation is charge based stimulation and the second type of stimulation is at least one of photic stimulation, olfactory stimulation, audio stimulation, electromagnetic field stimulation or vibration stimulation;

## 12

at least one sensor located on the device, the at least one sensor configured to monitor at least one physiological parameter of the user in response to both the first type of stimulation provided to the user and the second type of stimulation provided to the user; and

a control unit in communication with the at least one electrode, the at least one SSD, and the at least one sensor, the control unit configured to adjust the first type of stimulation provided by the at least one electrode and the second type of stimulation provided by the at least one SSD in response to the monitored at least one physiological parameter of the user.

21. The system of claim 20, further comprising a computer in communication with the control unit, the computer configured to deliver learning material to the user synchronized with delivery of stimulation to the user and collection of physiological signals from the user by the control unit.

22. The system of claim 21, wherein the computer has the control unit provide the second type of stimulation to the user in response to successful execution of a task by the user to strengthen learning by the user.

23. The system of claim 22, wherein the second type of stimulation is olfactory stimulation.

24. The system of claim 20, wherein the control unit is configured to determine an arousal level of the user based on the at least one physiological parameter of the user and adjust the first type of stimulation and the second type of stimulation to modulate the arousal level of the user.

25. The system of claim 24, wherein the control unit is configured to modulate the arousal level of the user to improve cognitive performance of the user.

26. The system of claim 24, wherein the control unit is configured to determine the arousal level of the user based on a heart rate of the user and a heart rate variability of the user.

27. The system of claim 20, wherein the control unit is configured to adjust the first type of stimulation and the second type of stimulation to improve cognitive performance and focused attention of the user.

28. The system of claim 27, wherein the control unit is configured to adjust the first type of stimulation and the second type of stimulation to provide stimulation for memorization of concepts to be learned by the user.

29. The system of claim 28, wherein the control unit is configured to adjust the first type of stimulation and the second type of stimulation to provide sensory withdrawal with brain entrainment to the user to consolidate the concepts to be learned by the user.

30. The system of claim 20, further comprising a computer in communication with the control unit, the computer configured to deliver learning material to the user and a plurality of different stimulation modalities using the first type of stimulation and the second type of stimulation for the user, wherein the plurality of different stimulation modalities are synchronized with delivery of the learning material and associated with a corresponding arousal level of the user to improve cognitive performance and focused attention of the user.

31. The system of claim 30, wherein each different stimulation modality of the plurality of different stimulation modalities is personalized for the user to obtain the corresponding arousal level.